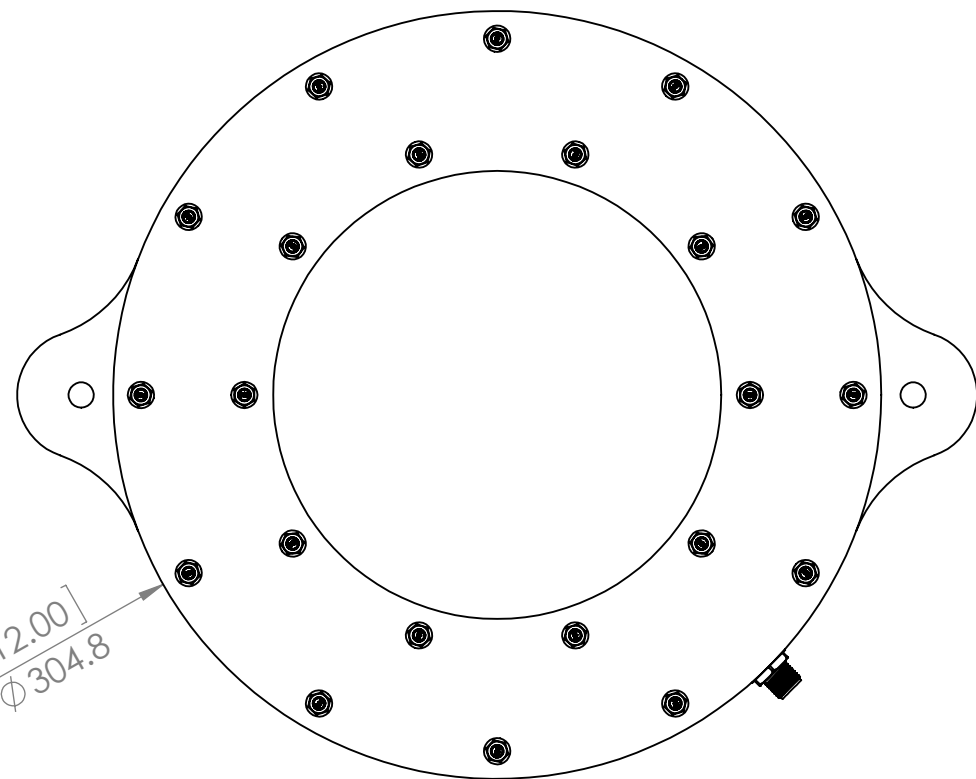
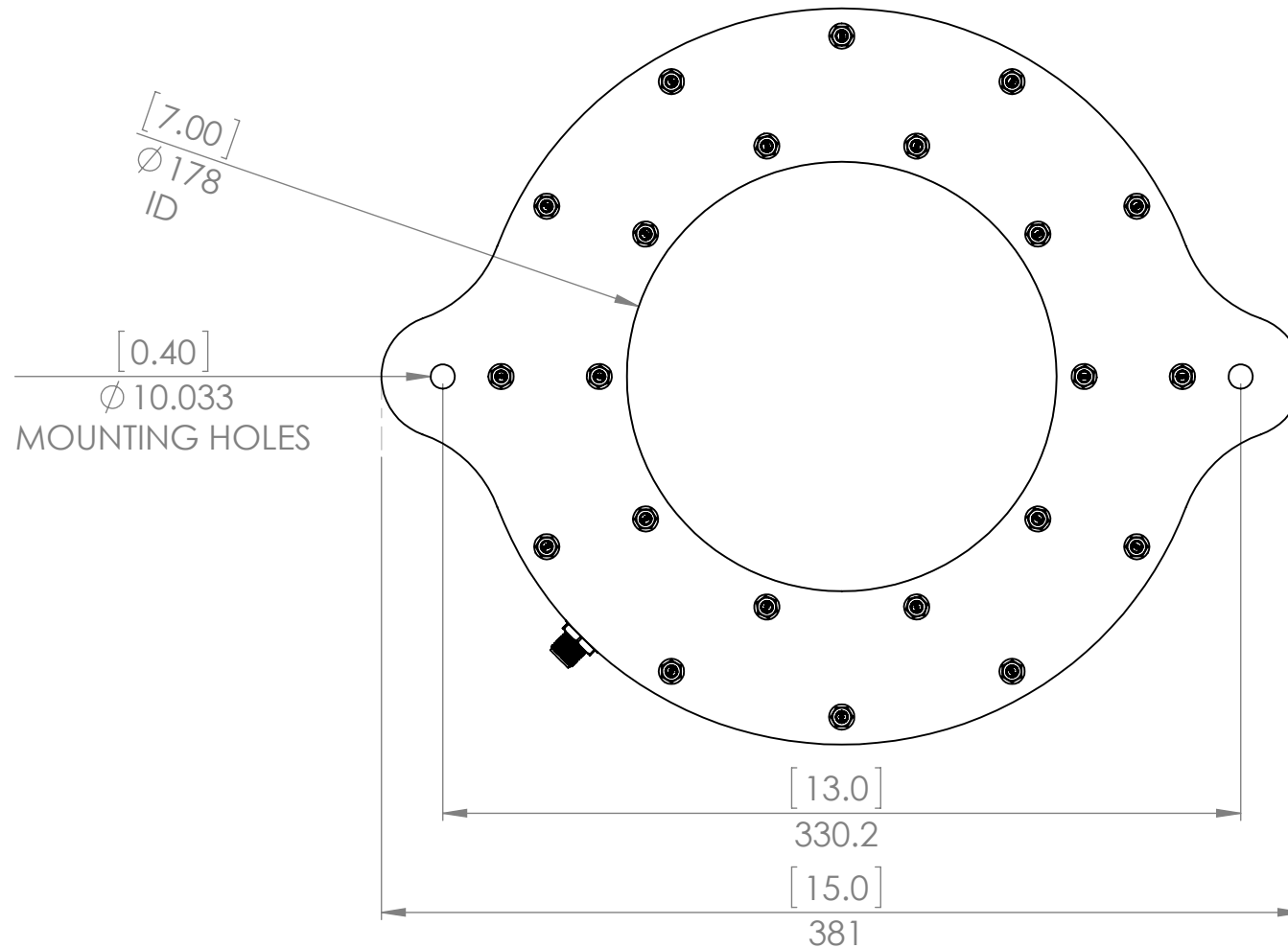


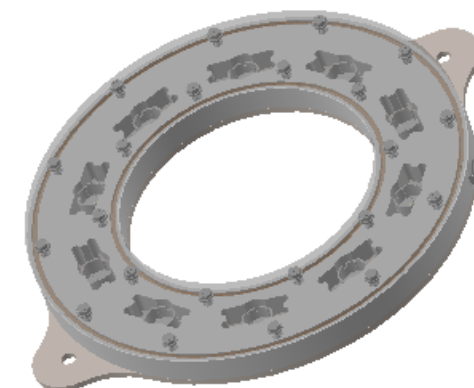
TOP VIEW



BOTTOM VIEW



SIDE VIEW



WARNING!!!

USE ONLY SPECTRUM ILLUMINATION LDM 700 ADAPTER. DO NOT CONNECT LIGHT TO 24VDC DIRECTLY. FAILURE TO FOLLOW THESE DIRECTIONS WILL RESULT IN PREMATURE LED FAILURE AND AVOID THE WARRANTY.

PROPRIETARY AND CONFIDENTIAL

THE INFORMATION CONTAINED IN THIS DRAWING IS THE SOLE PROPERTY OF SPECTRUM ILLUMINATION COMPANY INC. ANY REPRODUCTION IN PART OR AS A WHOLE WITHOUT THE WRITTEN PERMISSION OF SPECTRUM ILLUMINATION COMPANY INC. IS PROHIBITED.

UNLESS OTHERWISE SPECIFIED:

DIMENSIONS ARE IN MILLIMETERS/(INCHES)
 TOLERANCES:
 ANGULAR: MACH ± BEND ±
 NO PLACE DECIMAL ±1.0mm
 ONE PLACE DECIMAL ±0.50mm
 TWO PLACES DECIMAL ±0.25mm

INTERPRET GEOMETRIC TOLERANCING PER:			
MATERIAL	N/A		
FINISH	N/A		
DO NOT SCALE DRAWING			

NAME	DATE
DRAWN DJH	8/07/18
CHECKED	
ENG APPR.	
MFG APPR.	
Q.A.	
COMMENTS:	

SPECTRUM ILLUMINATION
 5114 INDUSTRIAL PARK RD.
 MONTAGUE, MI 49437

SIZE	DWG. NAME	REV
B	WMRL8.5 Complete	A
SCALE: 1:3	WEIGHT:	SHEET 1 OF 1