

4

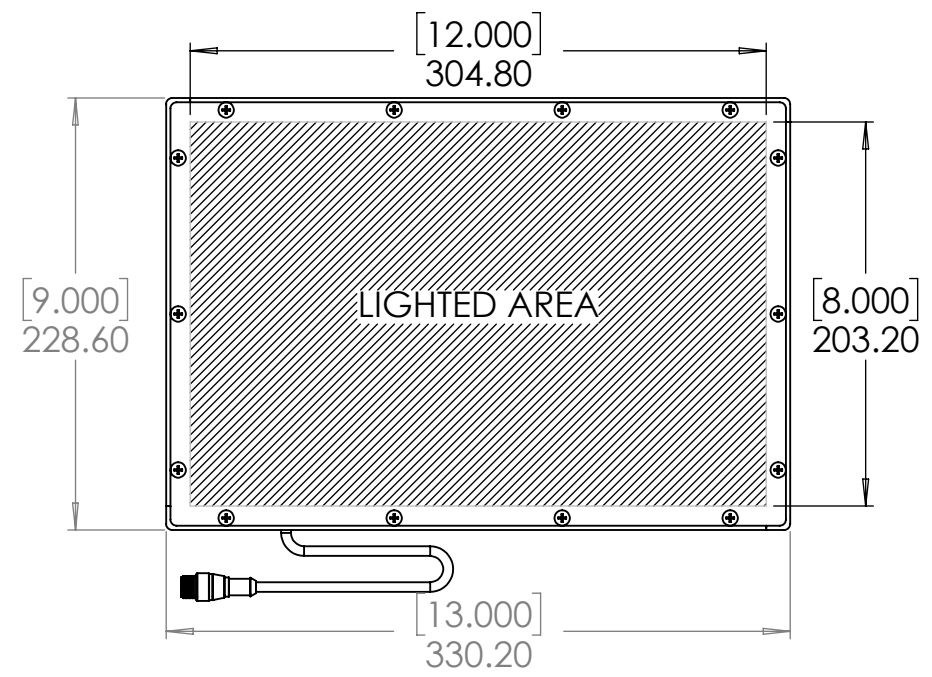
3

2

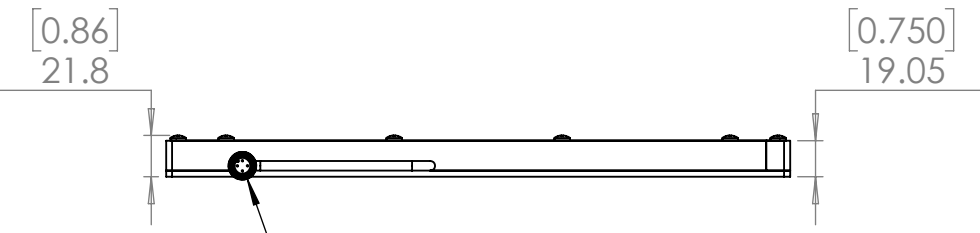
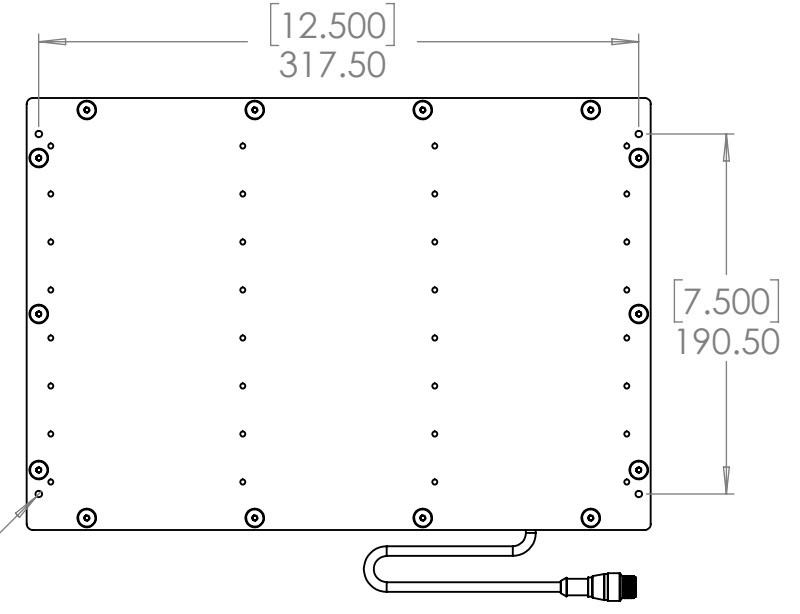
1

B

B



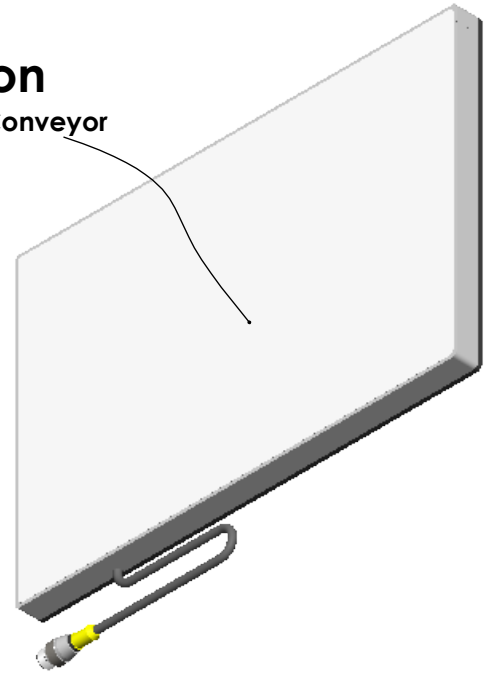
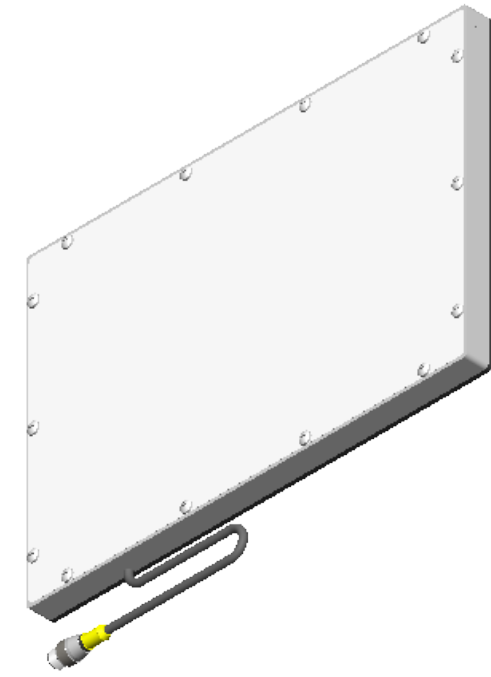
4 x 8-32 UNC  
 ▽ 13mm [0.5]



**STANDARD EUROFAST M12 4-PIN MALE CONNECTOR**

1	PIN 1 - BROWN / +24VDC
2	PIN 2 - WHITE / NPN STROBE-CONTINUOUS
3	PIN 3 - BLUE / 0VDC RTN
4	PIN 4 - BLACK / PNP STROBE-CONTINUOUS

**/WDC option**  
 White Diffuser for Conveyor



A

A

UNLESS OTHERWISE SPECIFIED:		NAME	DATE
DIMENSIONS ARE IN mm [INCH]	DRAWN	DJH	03/30/26
TOLERANCES:	CHECKED	XXX	X
ANGULAR: MACH ±	ENG APPR.		
BEND ±	MFG APPR.		
ONE PLACE DECIMAL ±1.0	Q.A.		
TWO PLACE DECIMAL ±0.5	COMMENTS:		
THREE PLACE DECIMAL ±0.25			
INTERPRET GEOMETRIC TOLERANCING PER:			
MATERIAL			
FINISH			
DO NOT SCALE DRAWING			

**PROPRIETARY AND CONFIDENTIAL**  
 THE INFORMATION CONTAINED IN THIS DRAWING IS THE SOLE PROPERTY OF SPECTRUM ILLUMINATION. ANY REPRODUCTION IN PART OR AS A WHOLE WITHOUT THE WRITTEN PERMISSION OF SPECTRUM ILLUMINATION IS PROHIBITED.

**SPECTRUM ILLUMINATION**  
 110 W Washington Ave  
 Zeeland, MI 49464

Description:		
SIZE	DWG. NO.	REV
<b>B</b>	SBL812-XXX	<b>A</b>
SCALE: 1:4	WEIGHT:	SHEET 1 OF 1

4

3

2

1