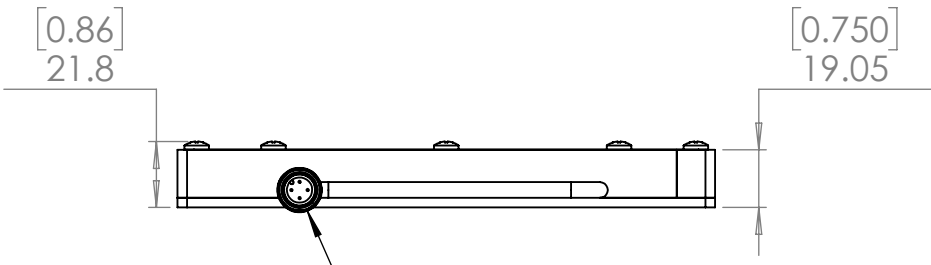
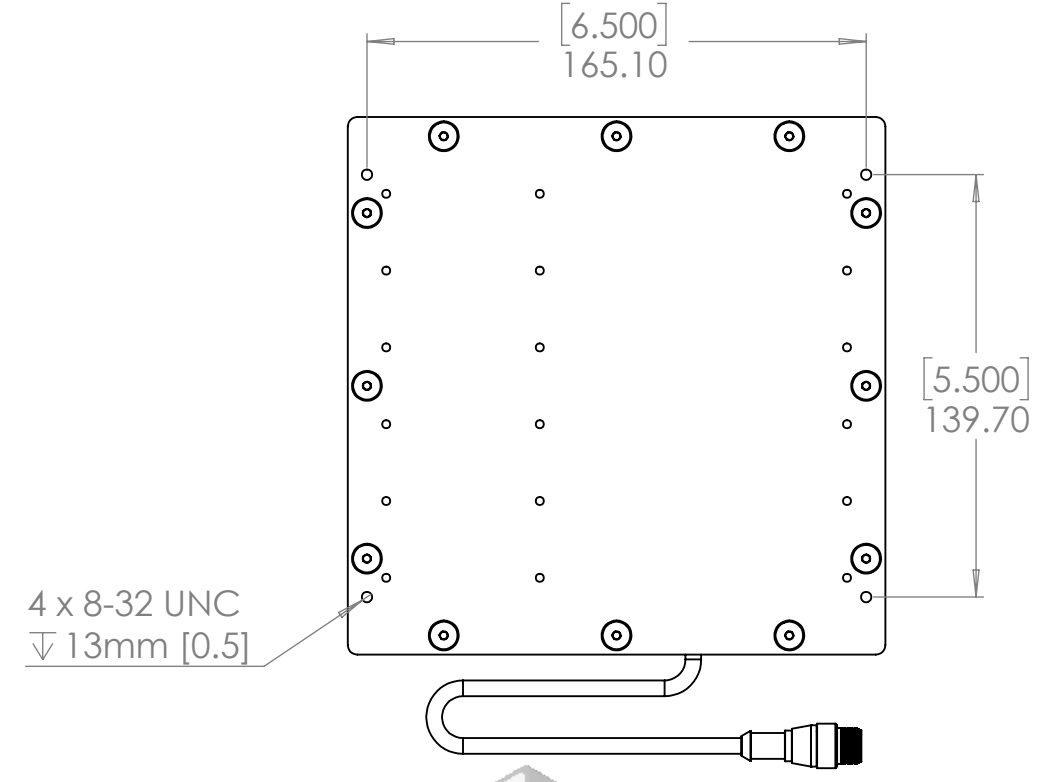
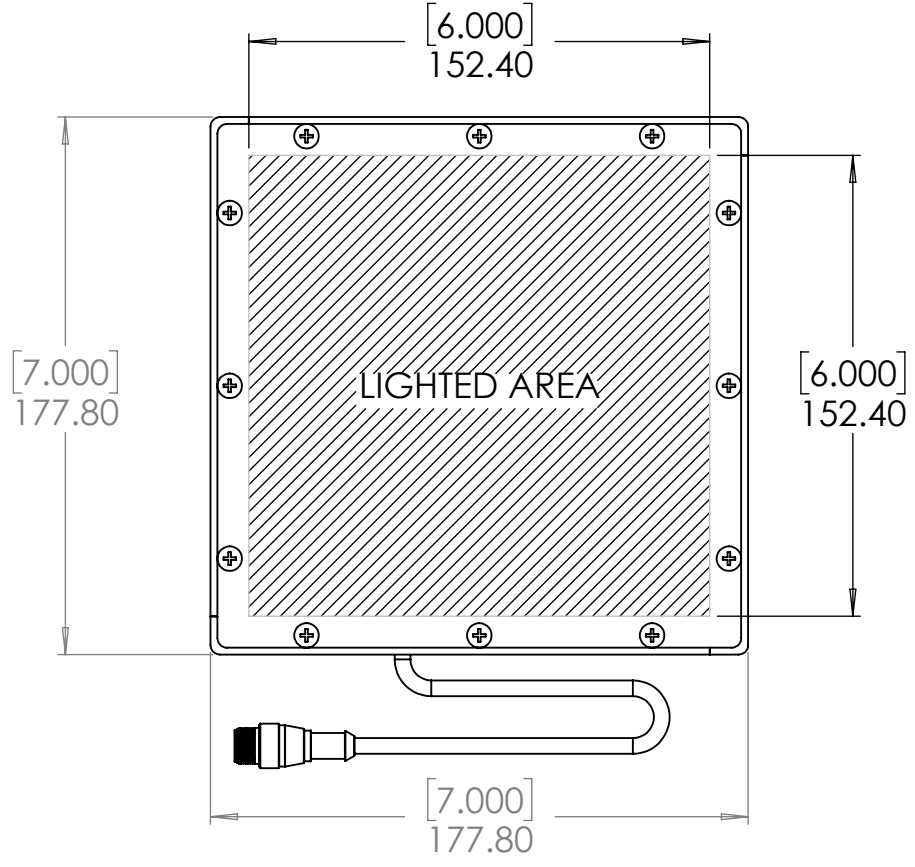


4

3

2

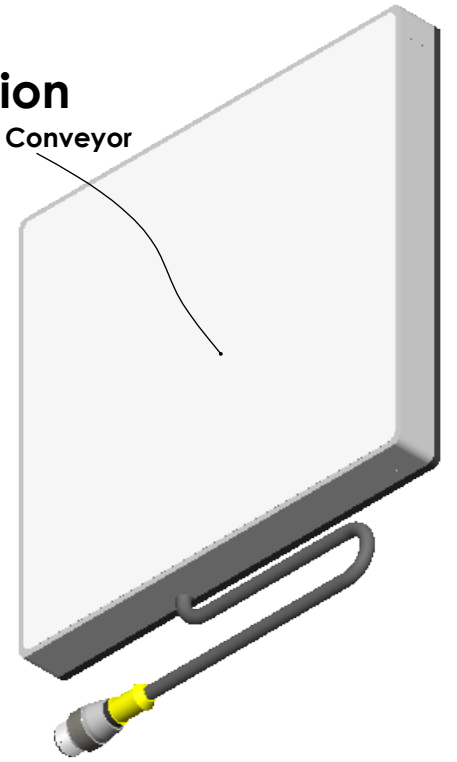
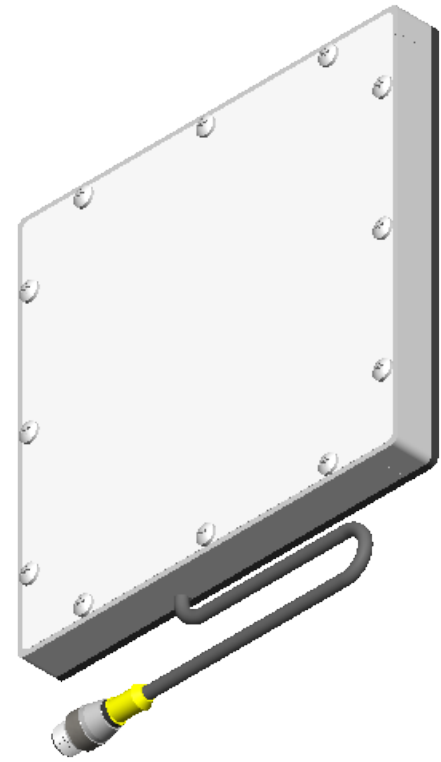
1



STANDARD EUROFAST M12 4-PIN MALE CONNECTOR

| | |
|---|---------------------------------------|
| 1 | PIN 1 - BROWN / +24VDC |
| 2 | PIN 2 - WHITE / NPN STROBE-CONTINUOUS |
| 3 | PIN 3 - BLUE / 0VDC RTN |
| 4 | PIN 4 - BLACK / PNP STROBE-CONTINUOUS |

/WDC option
White Diffuser for Conveyor



PROPRIETARY AND CONFIDENTIAL
THE INFORMATION CONTAINED IN THIS DRAWING IS THE SOLE PROPERTY OF SPECTRUM ILLUMINATION. ANY REPRODUCTION IN PART OR AS A WHOLE WITHOUT THE WRITTEN PERMISSION OF SPECTRUM ILLUMINATION IS PROHIBITED.

| UNLESS OTHERWISE SPECIFIED: | | NAME | DATE |
|--------------------------------------|--|-----------|--------------|
| DIMENSIONS ARE IN mm [INCH] | | DRAWN | DJH 03/27/26 |
| TOLERANCES: | | CHECKED | XXX X |
| ANGULAR: MACH ± BEND ± | | ENG APPR. | |
| ONE PLACE DECIMAL ±1.0 | | MFG APPR. | |
| TWO PLACE DECIMAL ±0.5 | | Q.A. | |
| THREE PLACE DECIMAL ±0.25 | | COMMENTS: | |
| INTERPRET GEOMETRIC TOLERANCING PER: | | | |
| MATERIAL | | | |
| FINISH | | | |
| DO NOT SCALE DRAWING | | | |

SPECTRUM ILLUMINATION
110 W Washington Ave
Zeeland, MI 49464

Description:
6" x 6" Standard Backlight

| | | |
|----------|-----------|----------|
| SIZE | DWG. NO. | REV |
| B | SBL66-XXX | A |

SCALE: 1:2.5 WEIGHT: SHEET 1 OF 1

4

3

2

1

B

B

A

A