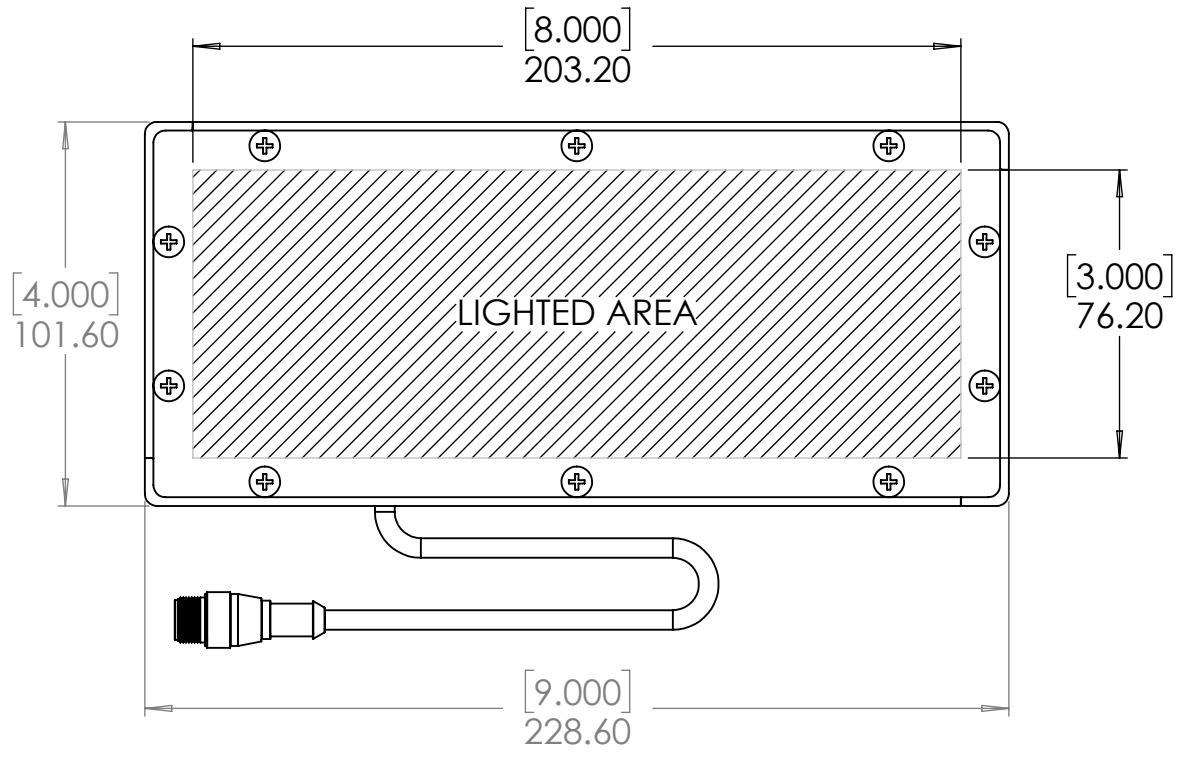


4

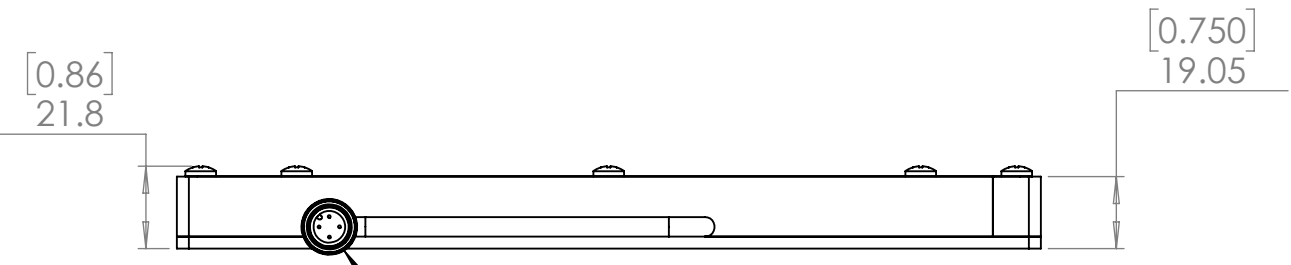
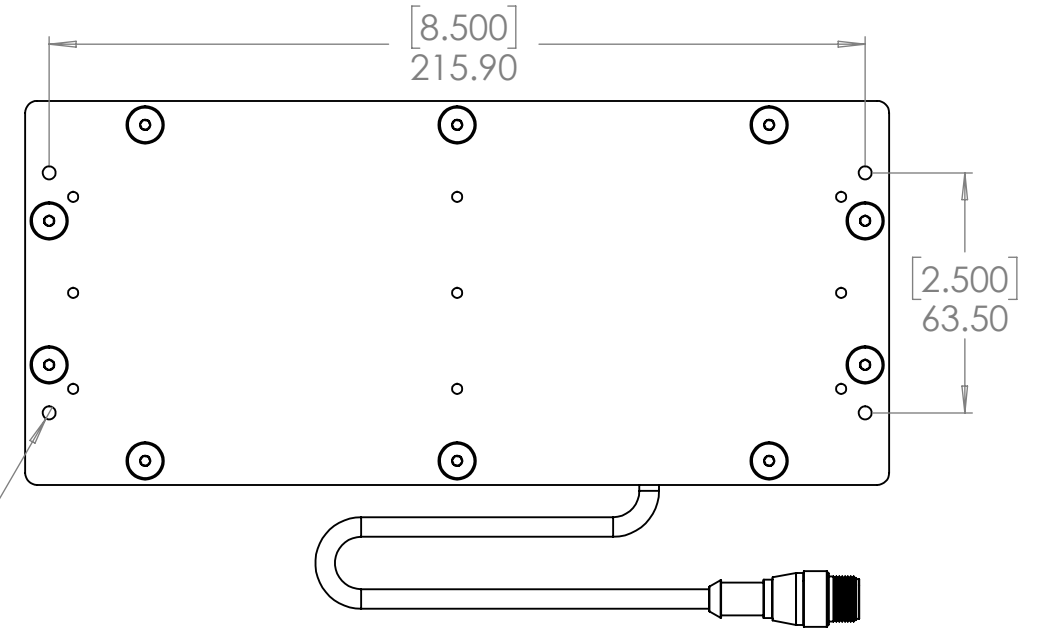
3

2

1



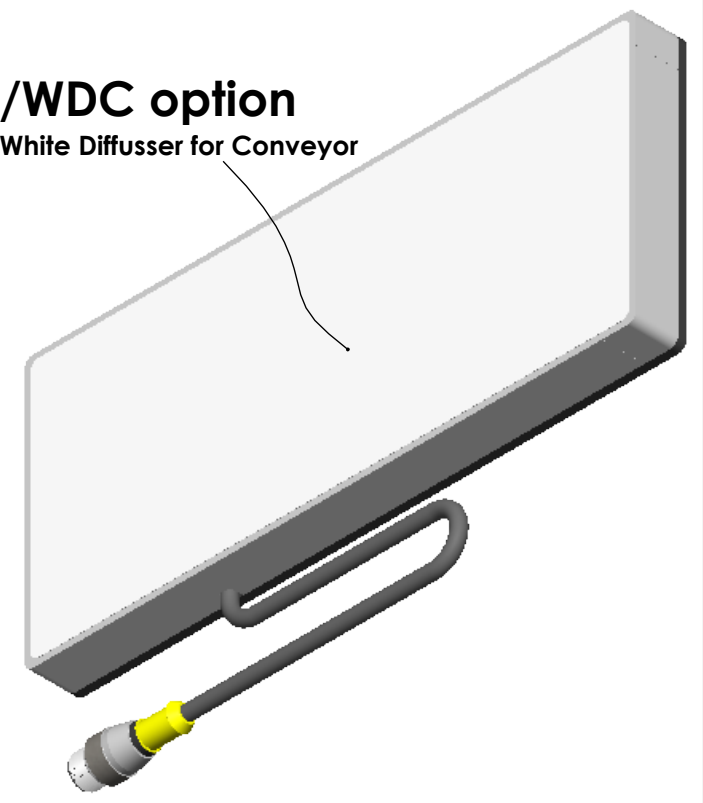
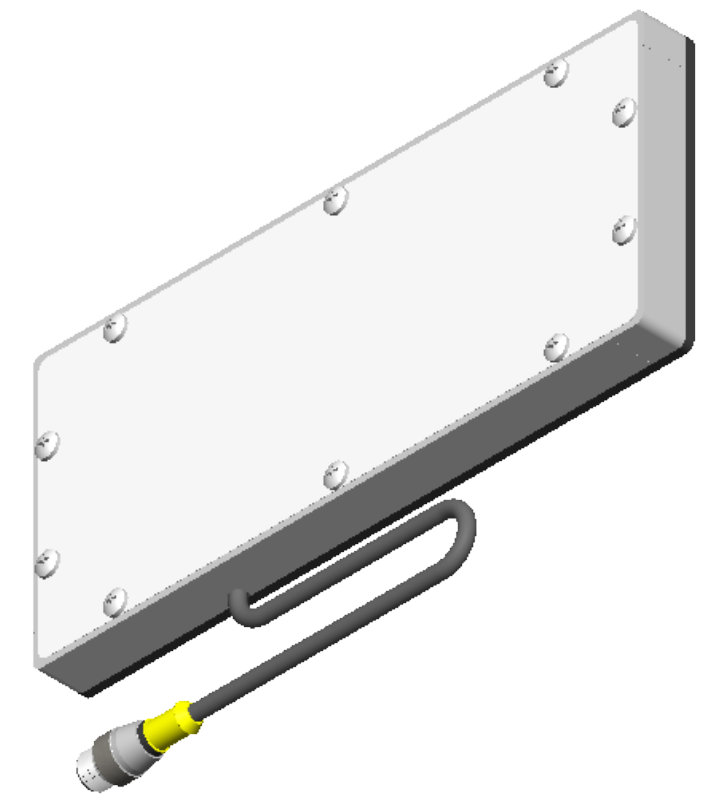
4 x 8-32 UNC
 ▽ 13mm [0.5]



STANDARD EUROFAST M12 4-PIN MALE CONNECTOR

1	PIN 1 - BROWN / +24VDC
2	PIN 2 - WHITE / NPN STROBE-CONTINUOUS
3	PIN 3 - BLUE / 0VDC RTN
4	PIN 4 - BLACK / PNP STROBE-CONTINUOUS

/WDC option
 White Diffuser for Conveyor



UNLESS OTHERWISE SPECIFIED:		NAME	DATE
DIMENSIONS ARE IN mm [INCH]	DRAWN	DJH	03/27/26
TOLERANCES:	CHECKED	XXX	X
ANGULAR: MACH ± BEND ±	ENG APPR.		
ONE PLACE DECIMAL ±1.0	MFG APPR.		
TWO PLACE DECIMAL ±0.5	Q.A.		
THREE PLACE DECIMAL ±0.25	COMMENTS:		

PROPRIETARY AND CONFIDENTIAL
 THE INFORMATION CONTAINED IN THIS DRAWING IS THE SOLE PROPERTY OF SPECTRUM ILLUMINATION. ANY REPRODUCTION IN PART OR AS A WHOLE WITHOUT THE WRITTEN PERMISSION OF SPECTRUM ILLUMINATION IS PROHIBITED.

SPECTRUM ILLUMINATION
 110 W Washington Ave
 Zeeland, MI 49464

Description:
 3" x 8" Standard Backlight

SIZE	DWG. NO.	REV
B	SBL38-XXX	A

SCALE: 1:2 WEIGHT: SHEET 1 OF 1

4

3

2

1

B

B

A

A