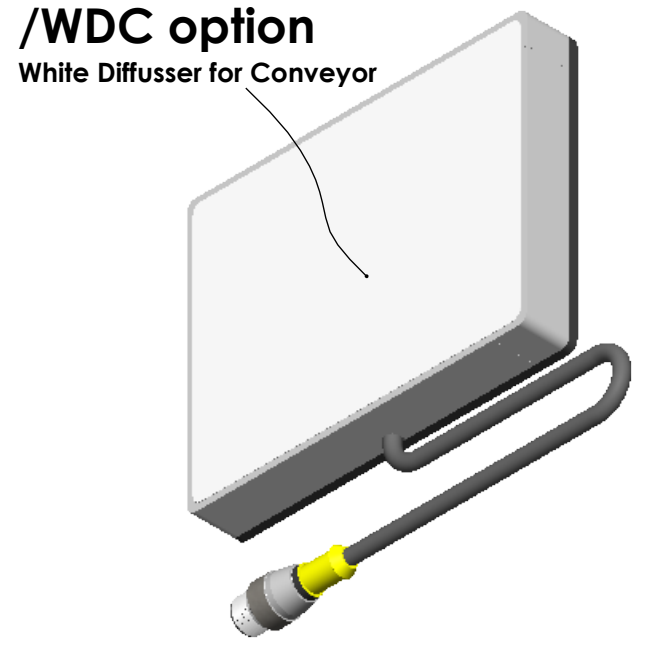
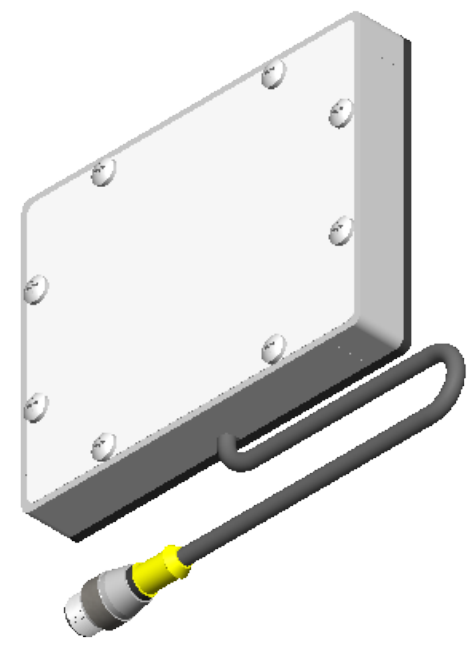
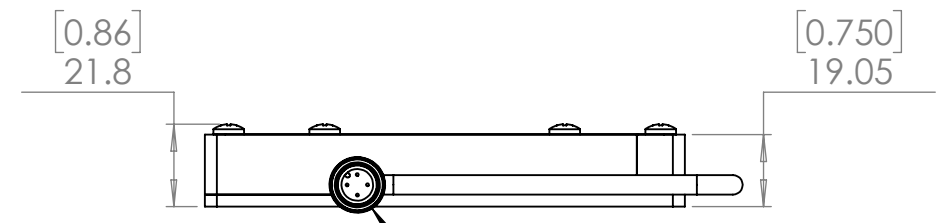
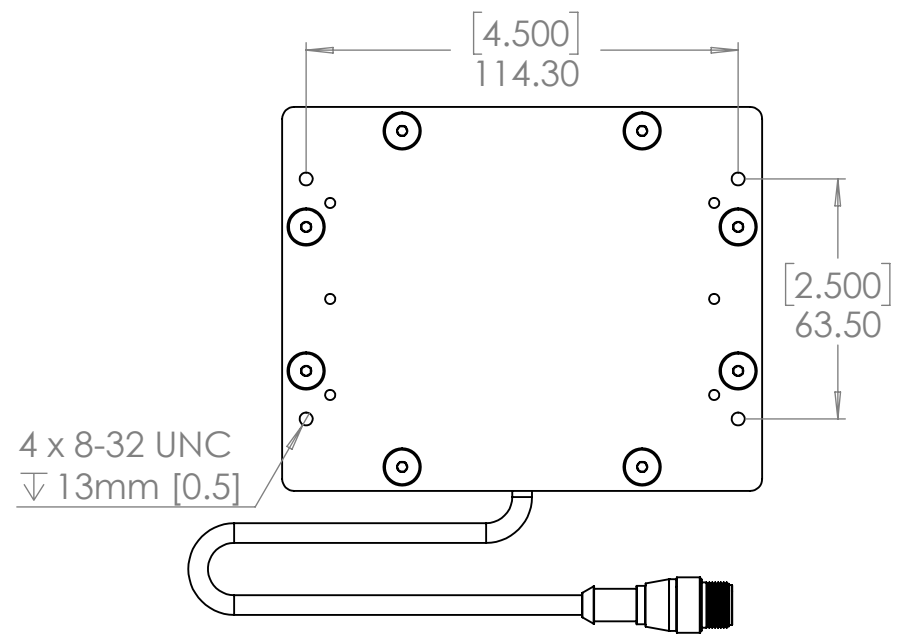
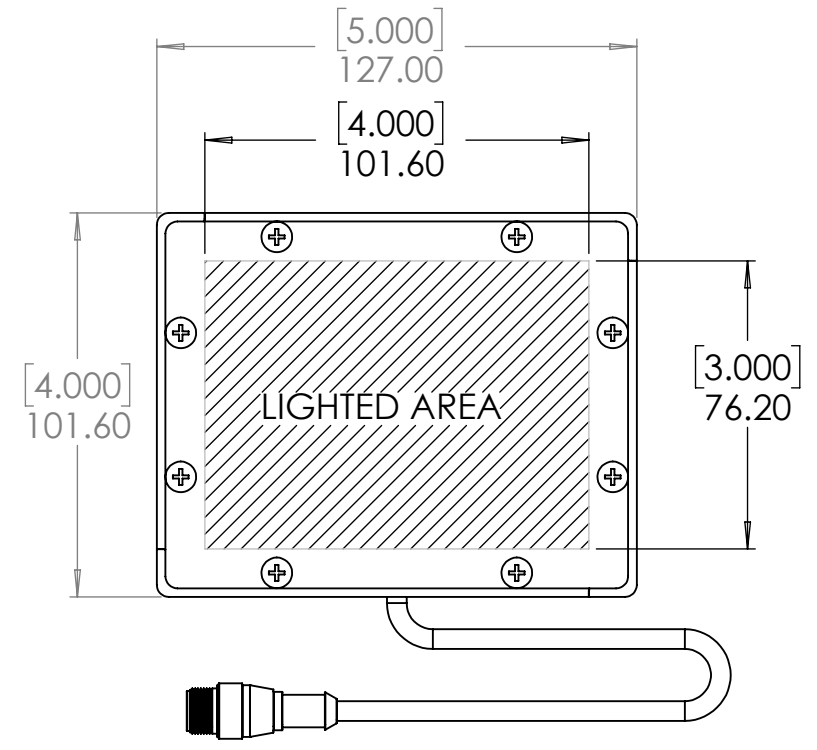


4

3

2

1



**STANDARD EUROFAST M12 4-PIN MALE CONNECTOR**

1	PIN 1 - BROWN / +24VDC
2	PIN 2 - WHITE / NPN STROBE-CONTINUOUS
3	PIN 3 - BLUE / 0VDC RTN
4	PIN 4 - BLACK / PNP STROBE-CONTINUOUS

**PROPRIETARY AND CONFIDENTIAL**

THE INFORMATION CONTAINED IN THIS DRAWING IS THE SOLE PROPERTY OF SPECTRUM ILLUMINATION. ANY REPRODUCTION IN PART OR AS A WHOLE WITHOUT THE WRITTEN PERMISSION OF SPECTRUM ILLUMINATION IS PROHIBITED.

UNLESS OTHERWISE SPECIFIED:	NAME	DATE
DIMENSIONS ARE IN mm [INCH]	DRAWN	DJH 03/27/26
TOLERANCES:	CHECKED	XXX X
ANGULAR: MACH ± BEND ±	ENG APPR.	
ONE PLACE DECIMAL ±1.0	MFG APPR.	
TWO PLACE DECIMAL ±0.5	Q.A.	
THREE PLACE DECIMAL ±0.25	COMMENTS:	
INTERPRET GEOMETRIC TOLERANCING PER:		
MATERIAL		
FINISH		
DO NOT SCALE DRAWING		

**SPECTRUM ILLUMINATION**  
 110 W Washington Ave  
 Zeeland, MI 49464

Description:  
 3" x 4" Standard Backlight

SIZE	DWG. NO.	REV
<b>B</b>	SBL34-XXX	<b>A</b>

SCALE: 1:2 WEIGHT: SHEET 1 OF 1

B

B

A

A

4

3

2

1