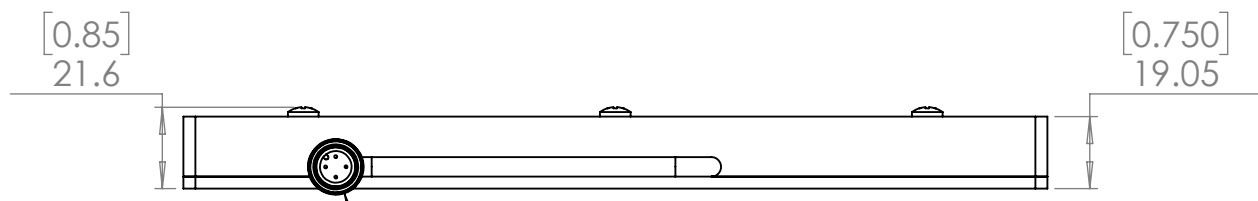
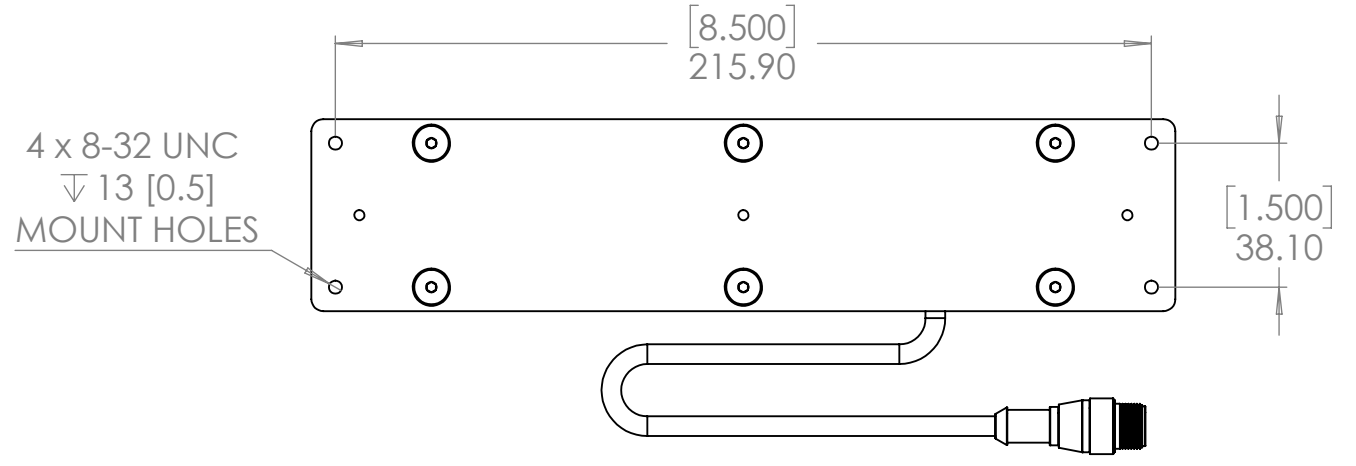
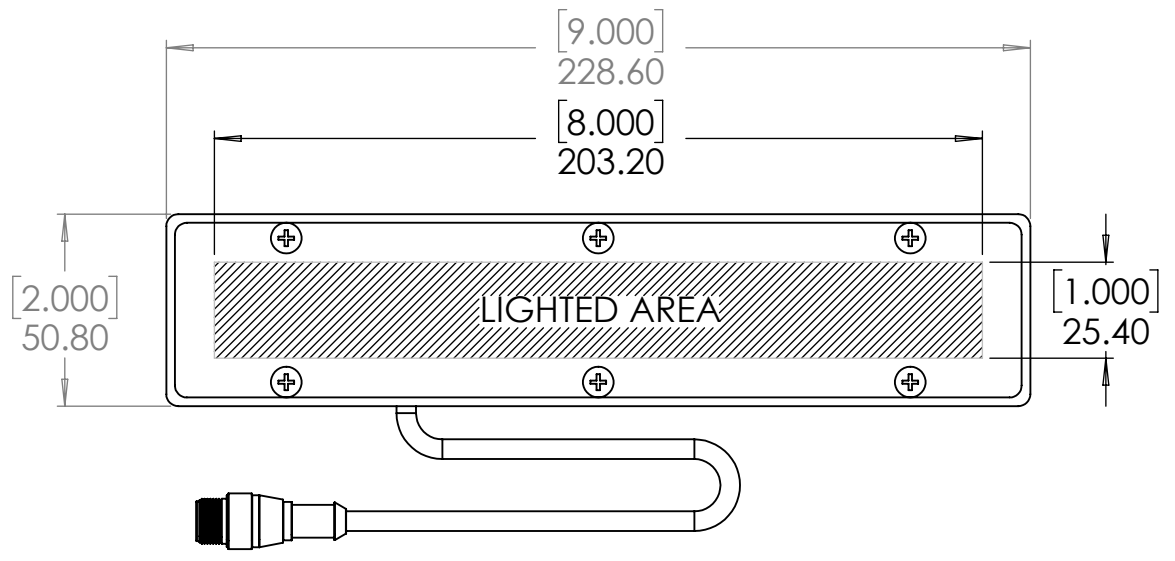


4

3

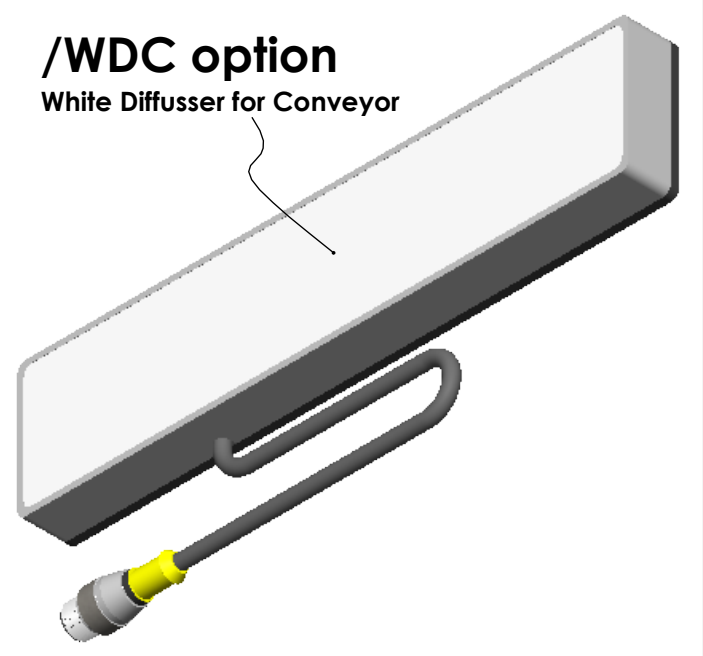
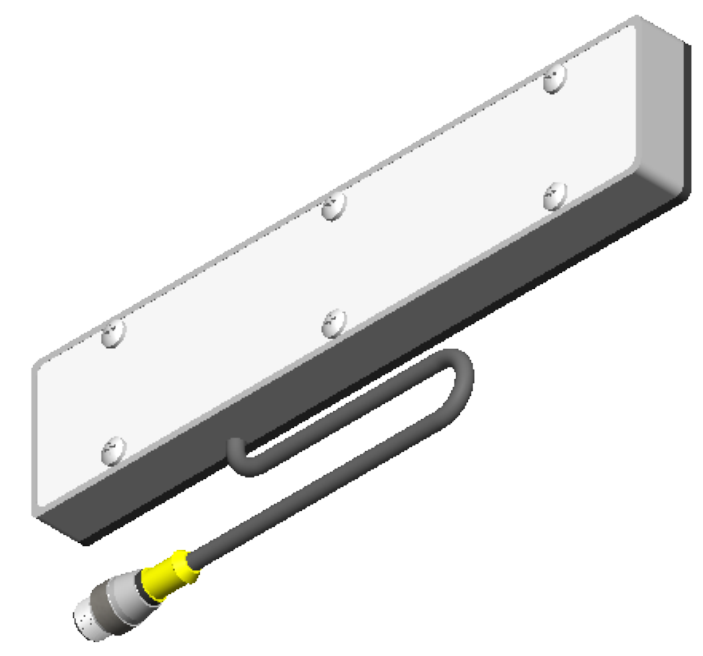
2

1



**STANDARD EUROFAST M12 4-PIN MALE CONNECTOR**

PIN 1 - BROWN / +24VDC  
 PIN 2 - WHITE / NPN STROBE-CONTINUOUS  
 PIN 3 - BLUE / 0VDC  
 PIN 4 - BLACK / PNP STROBE-CONTINUOUS



UNLESS OTHERWISE SPECIFIED:		NAME	DATE
DIMENSIONS ARE IN mm [INCH]		DRAWN	DJH 03/25/26
TOLERANCES:		CHECKED	XXX X
ANGULAR: MACH ± BEND ±		ENG APPR.	
ONE PLACE DECIMAL ±1.0		MFG APPR.	
TWO PLACE DECIMAL ±0.5		Q.A.	
THREE PLACE DECIMAL ±0.25		COMMENTS:	
INTERPRET GEOMETRIC TOLERANCING PER:			
MATERIAL			
FINISH			
DO NOT SCALE DRAWING			

**PROPRIETARY AND CONFIDENTIAL**

THE INFORMATION CONTAINED IN THIS DRAWING IS THE SOLE PROPERTY OF SPECTRUM ILLUMINATION. ANY REPRODUCTION IN PART OR AS A WHOLE WITHOUT THE WRITTEN PERMISSION OF SPECTRUM ILLUMINATION IS PROHIBITED.

**SPECTRUM ILLUMINATION**  
 110 W Washington Ave  
 Zeeland, MI 49464

Description:  
 1"x 8" Standard Backlight

SIZE	DWG. NO.	REV
<b>B</b>	SBL18-XXX	<b>A</b>

SCALE: 1:2 WEIGHT: SHEET 1 OF 1

4

3

2

1

B

B

A

A