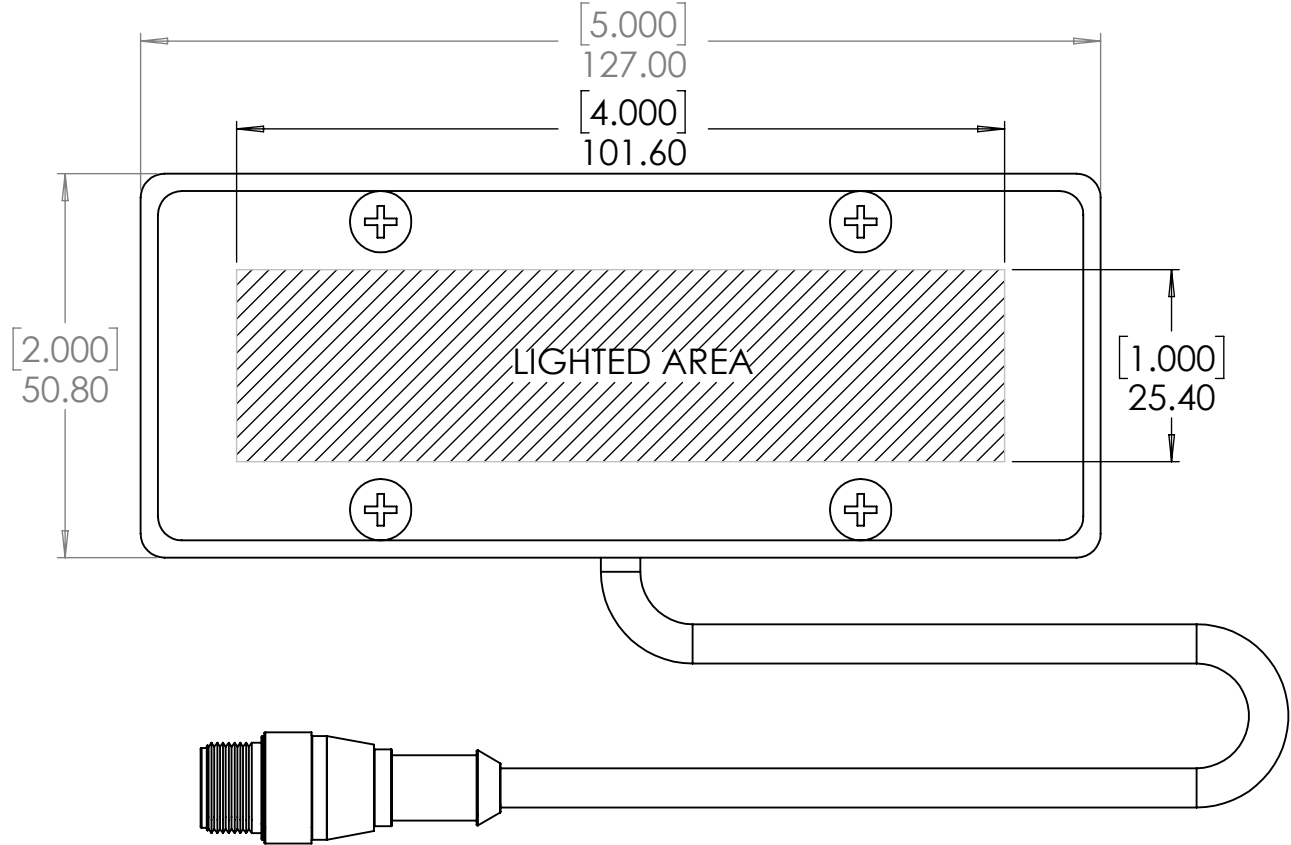


4

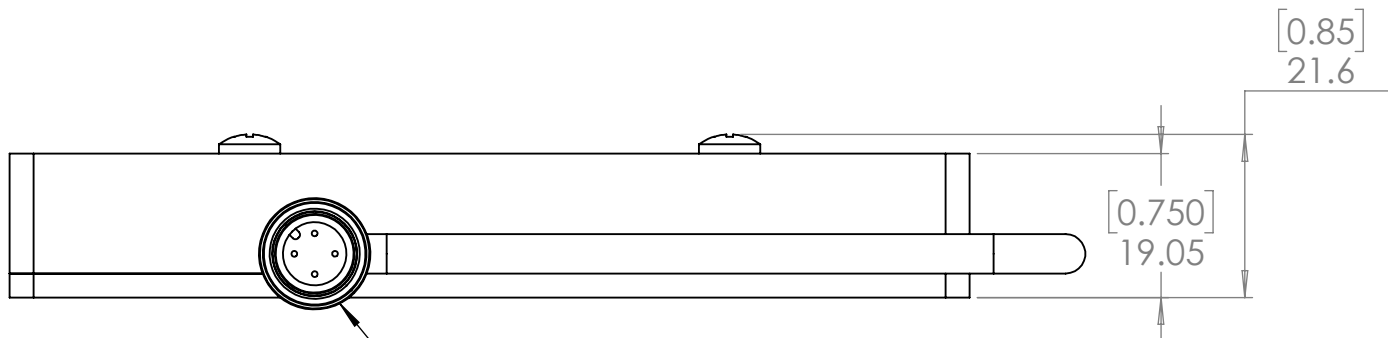
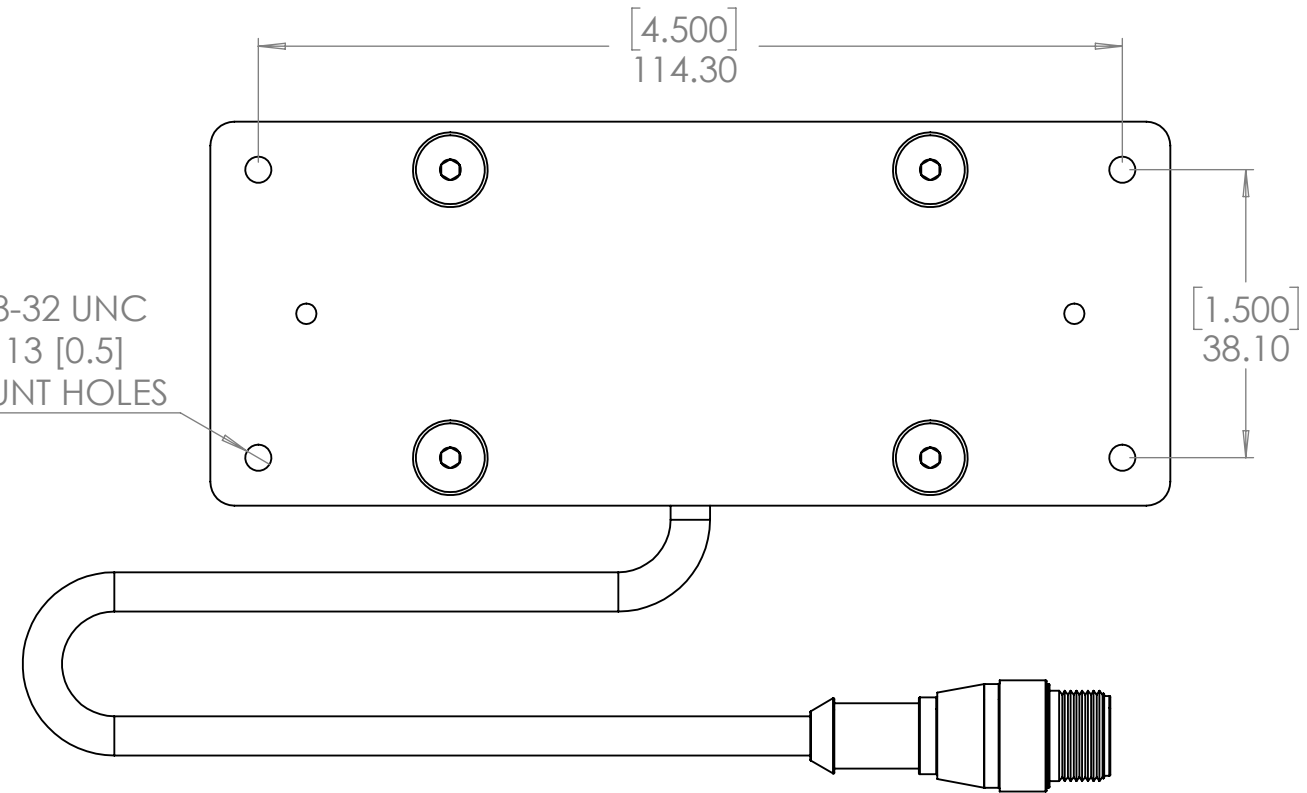
3

2

1



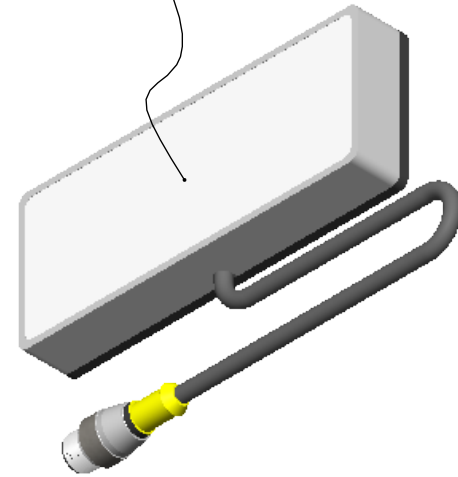
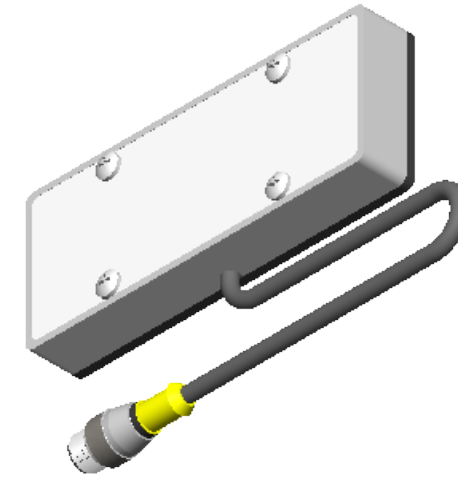
4 x 8-32 UNC
 ∇ 13 [0.5]
 MOUNT HOLES



STANDARD EUROFAST M12 4-PIN MALE CONNECTOR

	PIN 1 - BROWN / +24VDC
	PIN 2 - WHITE / NPN STROBE-CONTINUOUS
	PIN 3 - BLUE / 0VDC
	PIN 4 - BLACK / PNP STROBE-CONTINUOUS

/WDC option
 White Diffuser for Conveyor



UNLESS OTHERWISE SPECIFIED:

DIMENSIONS ARE IN mm [INCH]	DRAWN	NAME	DATE
TOLERANCES:	CHECKED	DJH	03/25/26
ANGULAR: MACH ±	ENG APPR.	XXX	X
BEND ±	MFG APPR.		
ONE PLACE DECIMAL ±1.0	Q.A.		
TWO PLACE DECIMAL ±0.5	COMMENTS:		
THREE PLACE DECIMAL ±0.25			
INTERPRET GEOMETRIC TOLERANCING PER:			
MATERIAL			
FINISH			
DO NOT SCALE DRAWING			

PROPRIETARY AND CONFIDENTIAL
 THE INFORMATION CONTAINED IN THIS DRAWING IS THE SOLE PROPERTY OF SPECTRUM ILLUMINATION. ANY REPRODUCTION IN PART OR AS A WHOLE WITHOUT THE WRITTEN PERMISSION OF SPECTRUM ILLUMINATION IS PROHIBITED.

SPECTRUM ILLUMINATION
 110 W Washington Ave
 Zeeland, MI 49464

Description:
 1" x 4" Standard Backlight

SIZE	DWG. NO.	REV
B	SBL14-XXX	A
SCALE: 1:1	WEIGHT:	SHEET 1 OF 1

4

3

2

1

B

B

A

A