

4

3

2

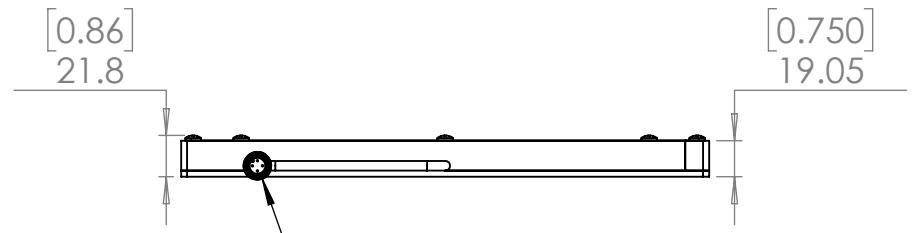
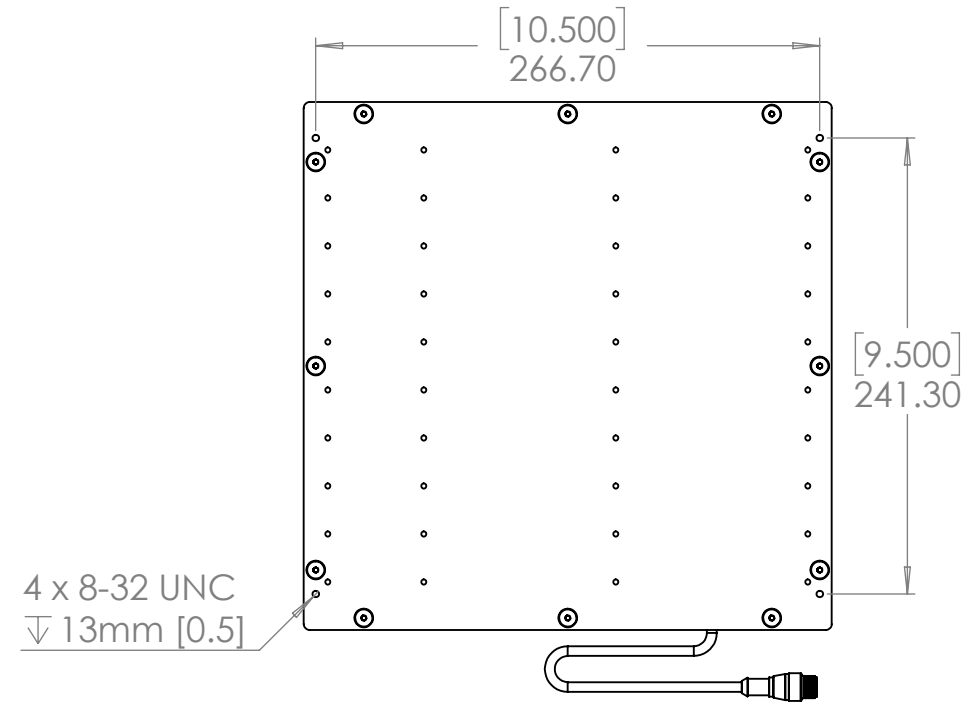
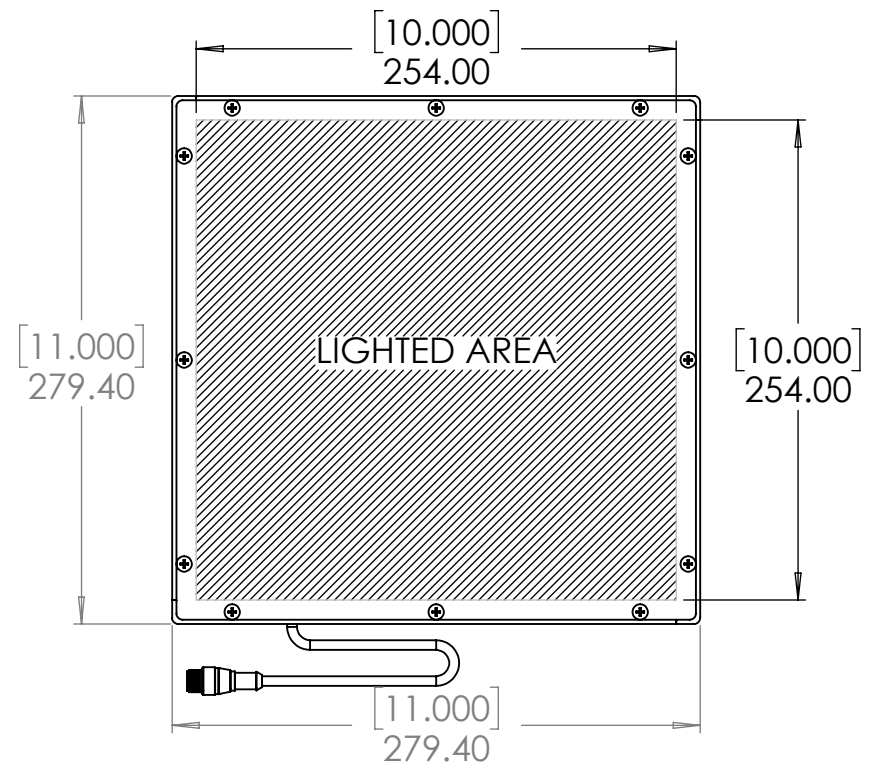
1

B

B

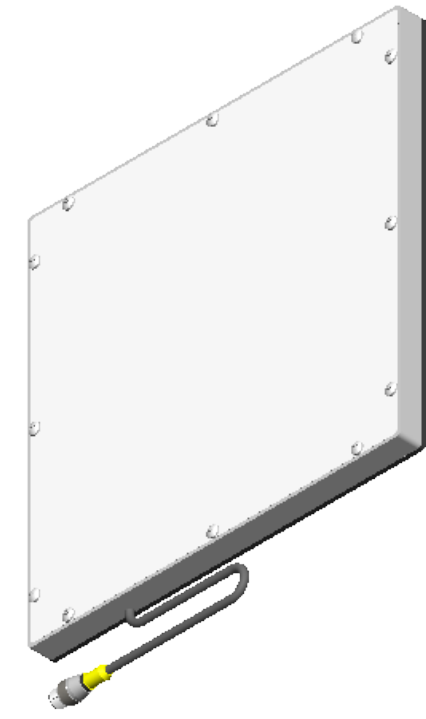
A

A

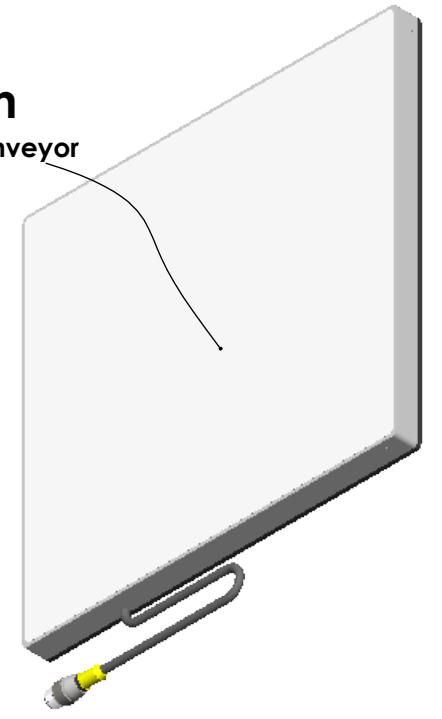


STANDARD EUROFAST M12 4-PIN MALE CONNECTOR

1	PIN 1 - BROWN / +24VDC
2	PIN 2 - WHITE / NPN STROBE-CONTINUOUS
3	PIN 3 - BLUE / 0VDC RTN
4	PIN 4 - BLACK / PNP STROBE-CONTINUOUS



/WDC option
White Diffuser for Conveyor



PROPRIETARY AND CONFIDENTIAL
THE INFORMATION CONTAINED IN THIS DRAWING IS THE SOLE PROPERTY OF SPECTRUM ILLUMINATION. ANY REPRODUCTION IN PART OR AS A WHOLE WITHOUT THE WRITTEN PERMISSION OF SPECTRUM ILLUMINATION IS PROHIBITED.

UNLESS OTHERWISE SPECIFIED:		NAME	DATE
DIMENSIONS ARE IN mm [INCH]		DRAWN	DJH 03/30/26
TOLERANCES:		CHECKED	XXX X
ANGULAR: MACH ± BEND ±		ENG APPR.	
ONE PLACE DECIMAL ±1.0		MFG APPR.	
TWO PLACE DECIMAL ±0.5		Q.A.	
THREE PLACE DECIMAL ±0.25		COMMENTS:	
INTERPRET GEOMETRIC TOLERANCING PER:			
MATERIAL			
FINISH			
DO NOT SCALE DRAWING			

SPECTRUM ILLUMINATION
110 W Washington Ave
Zeeland, MI 49464

Description:
10" x 10" Standard Backlight

SIZE	DWG. NO.	REV
B	SBL1010-XXX	A
SCALE: 1:4	WEIGHT:	SHEET 1 OF 1