

### FEATURES:

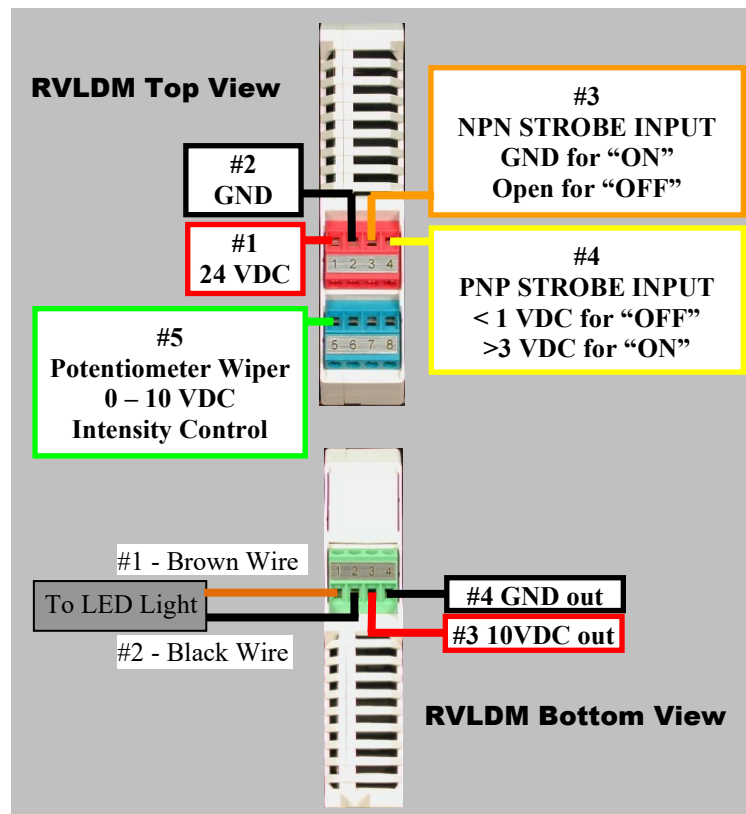
- Remote Variable Intensity Control - ~10% to 100%
- Compact Size
- Current Regulating
- 24VDC
- DIN Rail Mount
- PNP/NPN Strobe or Continuous Mode

### ELECTRICAL:

- Input Voltage: 24 VDC -0.5 / +4V
- Input Current: 4 Amps max
- Connection: Screw terminals

### ENVIRONMENTAL:

- Operating Temperature: 0 to 50°C
- Relative Humidity: 5 to 85% non-condensing



### RVLDM3500 is compatible with the following lights:

- MLL157.5 – All Colors
- MBL512 – All Colors

### NOTE:

Jumper 24VDC to PNP Strobe Input or GND to NPN Strobe input for light to remain in constant “ON” state.

Strobe is Pulse Width Duration – Light will remain “on” for duration of signal or pulse.

Note: White, Blue and Green wires are not used on RVLDM3500 Driver

### Warning!!!

**USE ONLY SPECTRUM ILLUMINATION LDM DRIVER WITH MONSTER LIGHTS. DO NOT CONNECT MONSTER LIGHTS DIRECTLY TO 24VDC!**

Spectrum Illumination • 5114 Industrial Park Rd. • Montague, MI 49437

Phone 231-894-4590 Fax 231-894-4582

[www.spectrumillumination.com](http://www.spectrumillumination.com)

Rev. Date: 2020-10-28

**Wiring Block Diagram**

