

FEATURES:

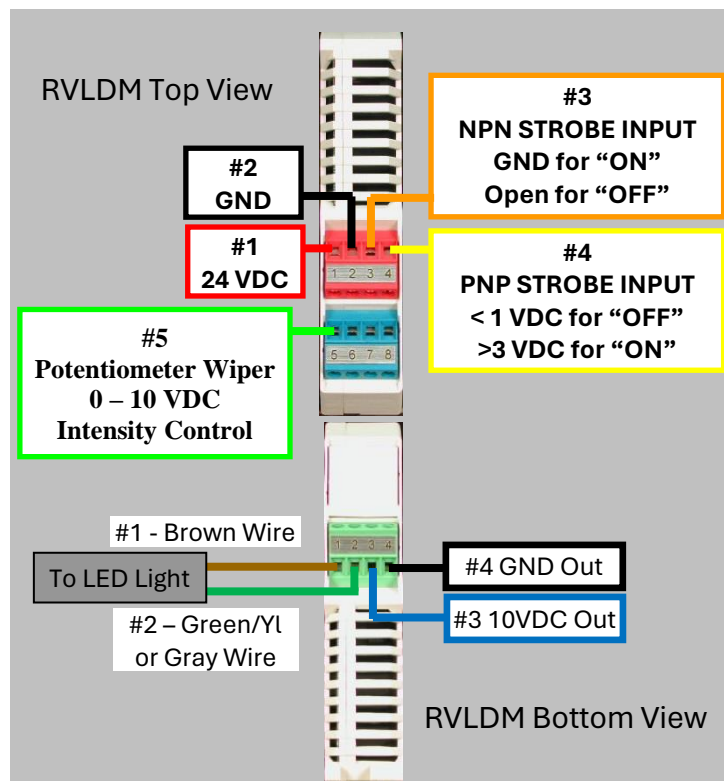
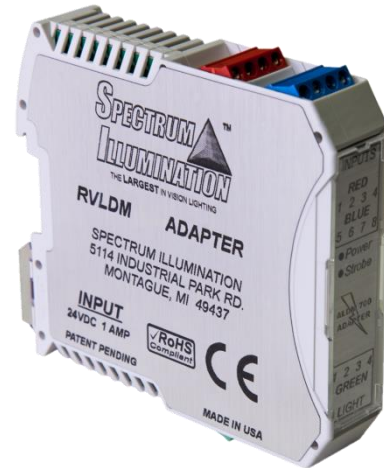
- Compact Size
- Current Regulating
- 24VDC
- DIN Rail Mount
- PNP/NPN Strobe or Continuous Mode

ELECTRICAL:

- Input Voltage: 24 VDC -0.5 / +4V
- Input Current: 2.5 Amps max
- Output Current: ~210mA to 2100mA ±5%
- Connection: Screw terminals

ENVIRONMENTAL:

- Operating Temperature: 0 to 50°C
- Relative Humidity: 5 to 85% non-condensing



RVLDM2100 is compatible with the following lights:

- MLL134.5 – All Colors
- MDL18.25 – All Colors
- MRL19.5 – All Colors

NOTE:

Jumper 24VDC to PNP Strobe Input or GND to NPN Strobe input for light to remain in constant "ON" state.

Strobe is Pulse Width Duration – Light will remain "on" for duration of signal or pulse.

Note: White, Black and Blue wires are not used on RVLDM2100 Driver

Warning!!!

**USE ONLY SPECTRUM ILLUMINATION LDM DRIVER WITH MONSTER LIGHTS.
DO NOT CONNECT MONSTER LIGHTS DIRECTLY TO 24VDC!**

Spectrum Illumination • 5114 Industrial Park Rd. • Montague, MI 49437
Phone 231-894-4590 Fax 231-894-4582

www.spectrumillumination.com

Rev. Date: 2024-06-04

Wiring Block Diagram

