

4

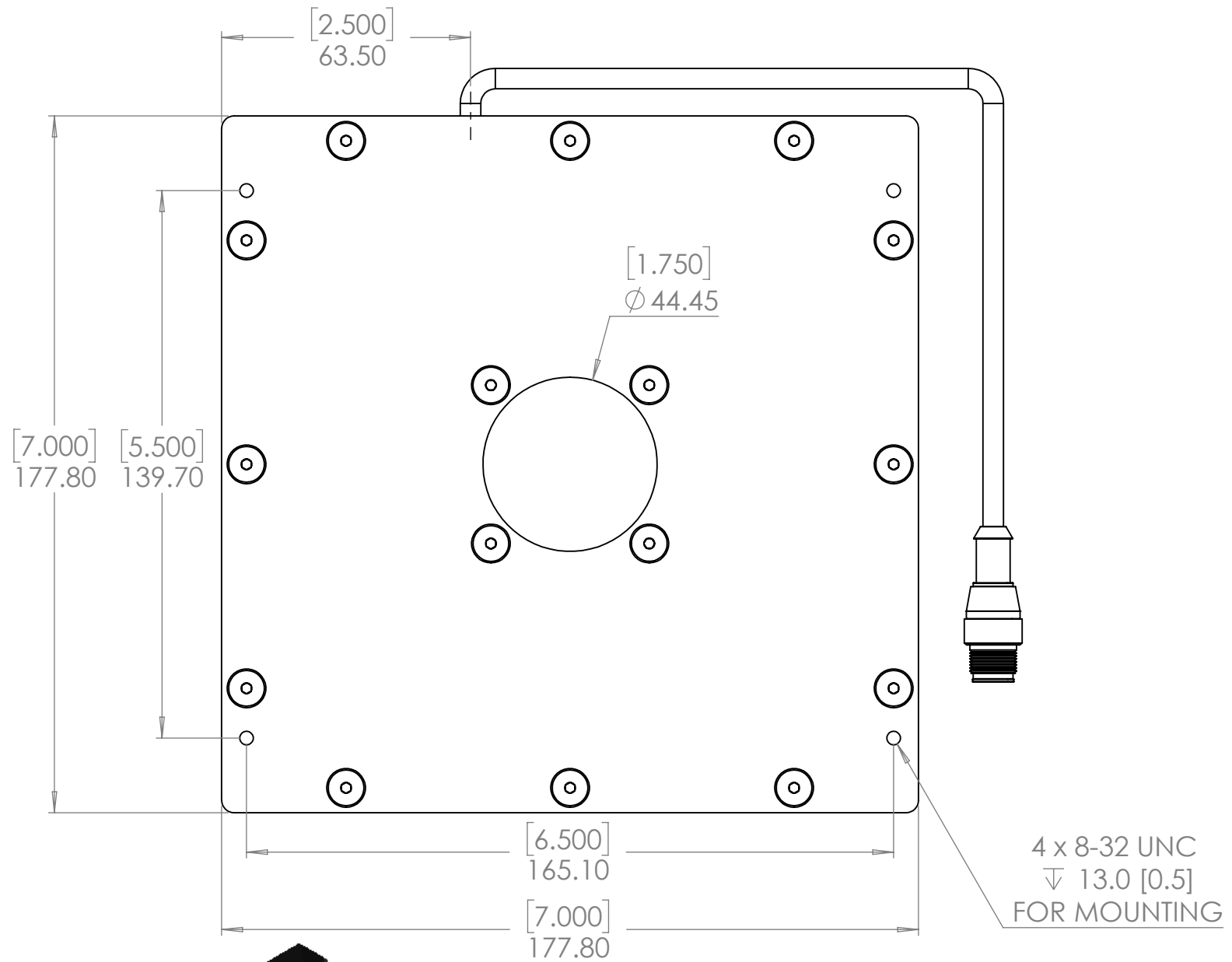
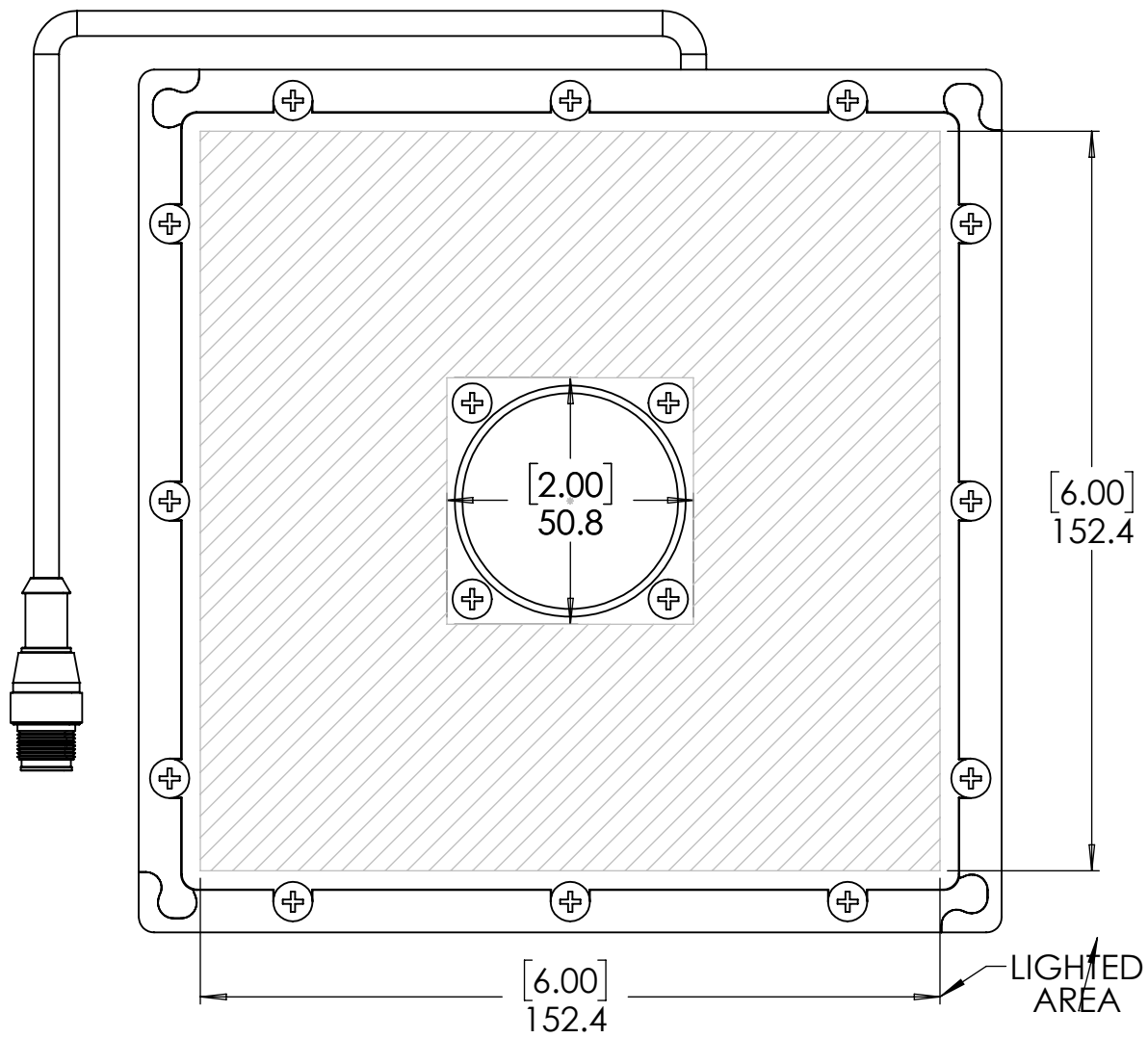
3

2

1

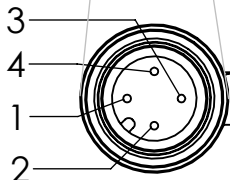
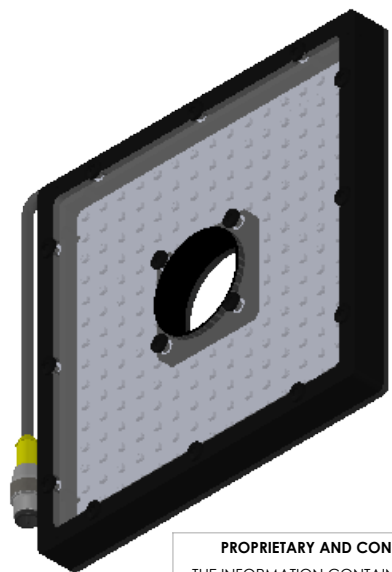
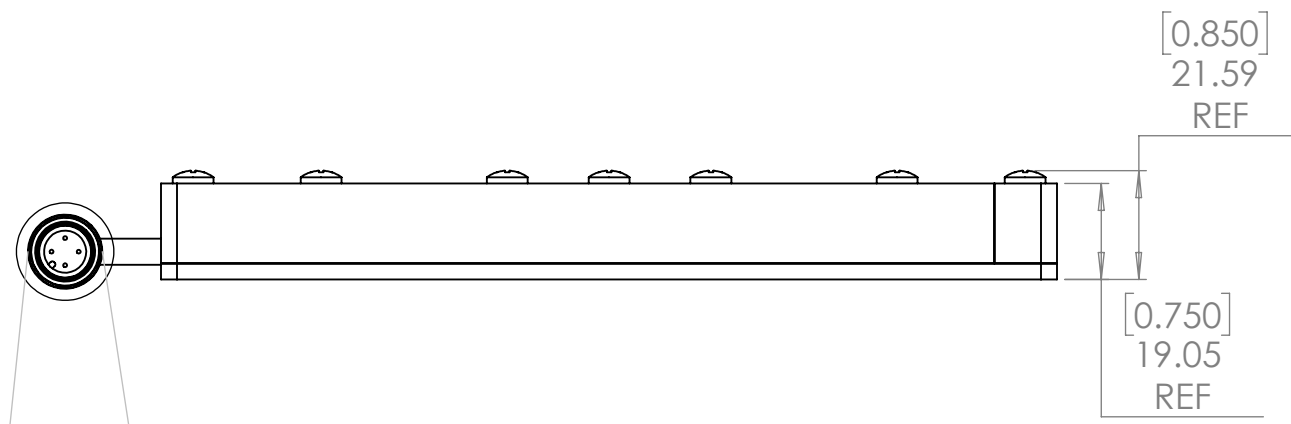
B

B



A

A



STANDARD EUROFAST M12 4-PIN MALE CONNECTOR
 PIN 1 - BROWN / +24VDC
 PIN 2 - WHITE / N/C
 PIN 3 - BLUE / +24VDC RTN
 PIN 4 - BLACK / STROBE-CONTINUOUS

PROPRIETARY AND CONFIDENTIAL
 THE INFORMATION CONTAINED IN THIS DRAWING IS THE SOLE PROPERTY OF SPECTRUM ILLUMINATION INC. ANY REPRODUCTION IN PART OR AS A WHOLE WITHOUT THE WRITTEN PERMISSION OF SPECTRUM ILLUMINATION INC IS PROHIBITED.

UNLESS OTHERWISE SPECIFIED:		NAME	DATE
DIMENSIONS ARE IN mm [INCH]	DRAWN	DJH	07/10/23
TOLERANCES:	CHECKED	-	-
ANGULAR: MACH \pm	ENG APPR.		
BEND \pm	MFG APPR.		
ONE PLACE DECIMAL \pm 1.0	Q.A.		
TWO PLACE DECIMAL \pm 0.5	COMMENTS:		
THREE PLACE DECIMAL \pm 0.25			
INTERPRET GEOMETRIC TOLERANCING PER:			
MATERIAL			
FINISH			
DO NOT SCALE DRAWING			

SPECTRUM ILLUMINATION
 5114 INDUSTRIAL PARK RD.
 MONTAGUE, MI 49437

Description:		
6" x 6" OXY Light		
SIZE	DWG. NO.	REV
B	OL66-XXX	A
SCALE: 1:1.5WEIGHT:		SHEET 1 OF 1

4

3

2

1