

4

3

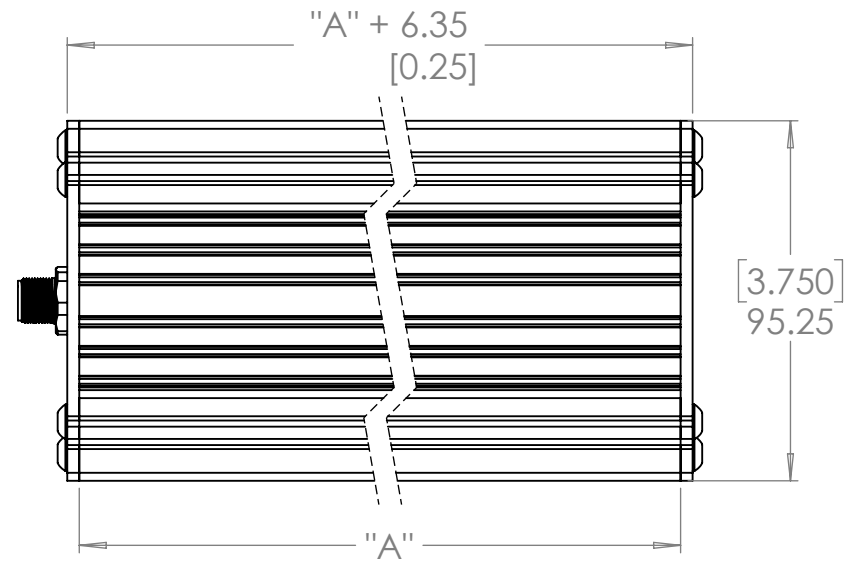
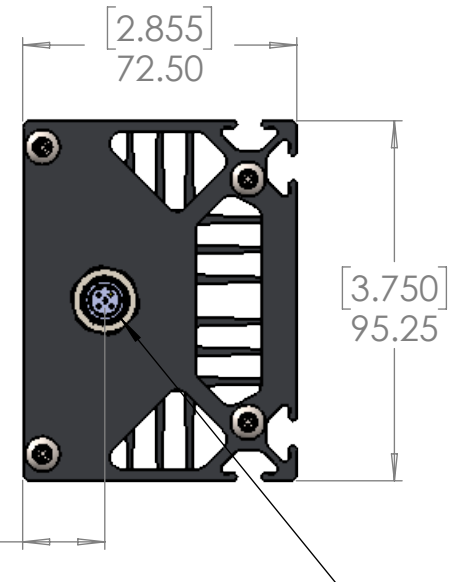
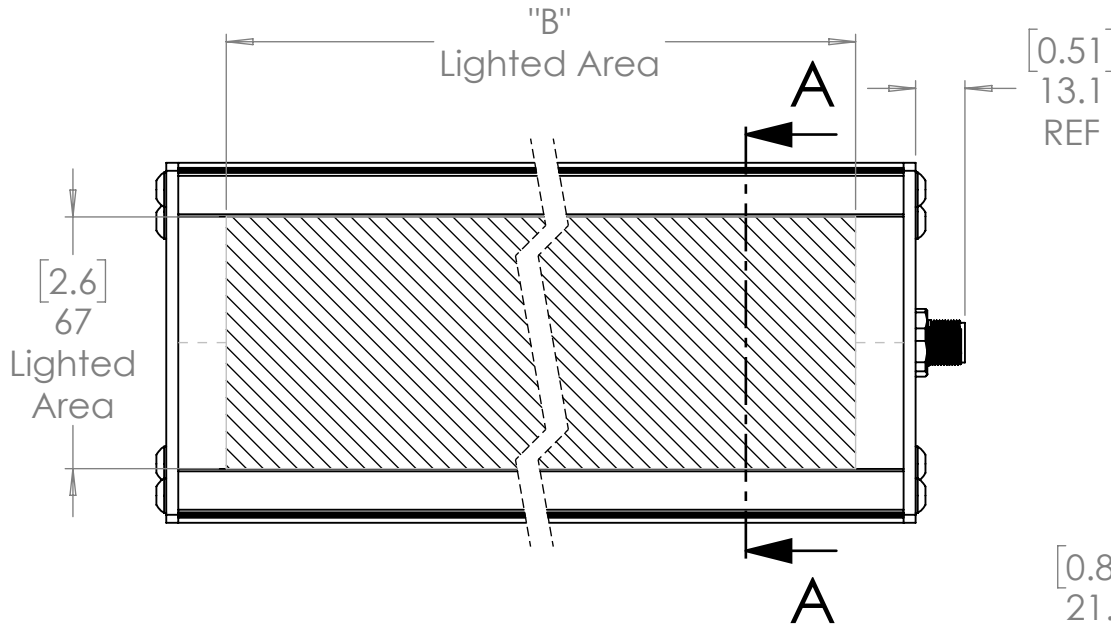
2

1

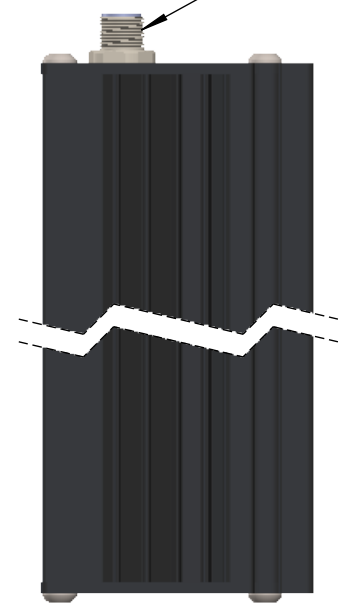
TOP VIEW

END VIEW

BOTTOM VIEW

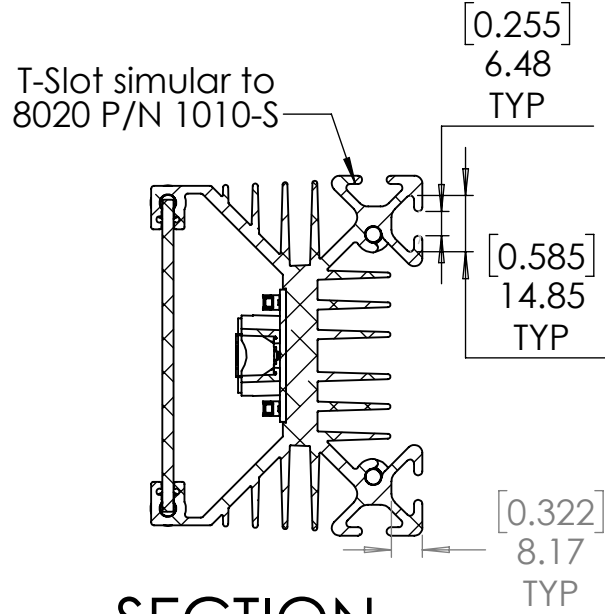


SIDE VIEW

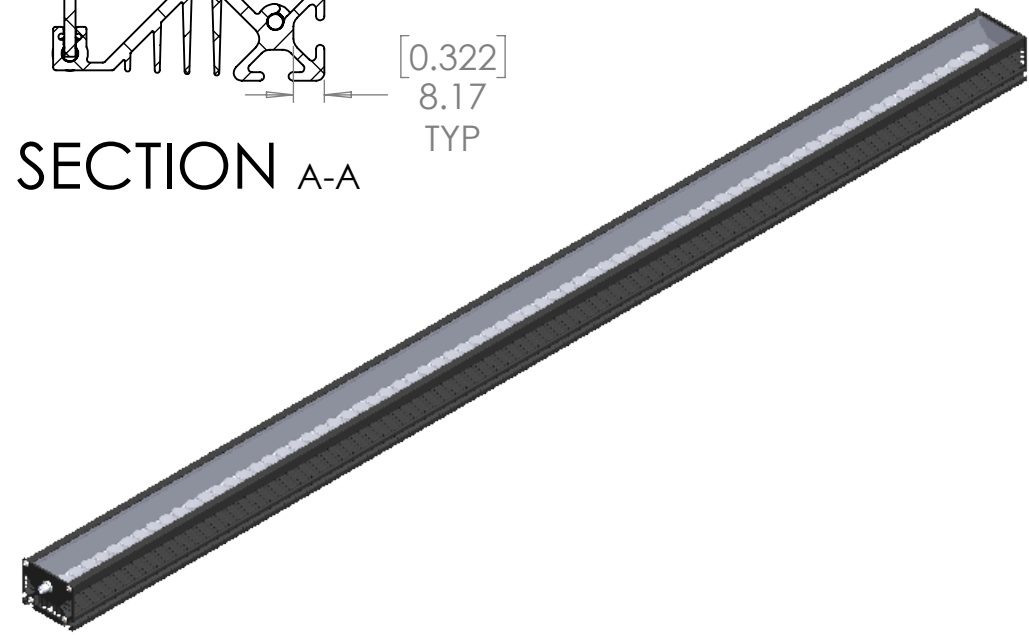


**WARNING !!!**

USE ONLY SPECTRUM ILLUMINATION LDM MODEL SPECIFIED ON LIGHT.  
DO NOT CONNECT LIGHT TO 24VDC DIRECTLY.  
FAILURE TO FOLLOW THESE DIRECTIONS WILL RESULT IN PREMATURE LED FAILURE AND VOID THE WARRANTY.



SECTION A-A



| Model No       | Dim A mm | Dim A inch | Dim B mm | Dim B inch |
|----------------|----------|------------|----------|------------|
| MLLT111.5-XXX  | 317.5    | 12.5       | 292.1    | 11.5       |
| MLLT117.25-XXX | 463.55   | 18.25      | 438.15   | 17.25      |
| MLLT123-XXX    | 609.6    | 24         | 584.2    | 23         |
| MLLT128.75-XXX | 755.65   | 29.75      | 730.25   | 28.75      |
| MLLT134.5-XXX  | 901.7    | 35.5       | 876.3    | 34.5       |
| MLLT146-XXX    | 1193.8   | 47         | 1168.4   | 46         |
| MLLT157.5-XXX  | 1485.9   | 58.5       | 1460.5   | 57.5       |

| UNLESS OTHERWISE SPECIFIED:          |  | NAME      | DATE         |
|--------------------------------------|--|-----------|--------------|
| DIMENSIONS ARE IN mm [INCH]          |  | DRAWN     | DJH 05/21/26 |
| TOLERANCES:                          |  | CHECKED   | JV 05/21/26  |
| ANGULAR: MACH ± BEND ±               |  | ENG APPR. |              |
| ONE PLACE DECIMAL ±1.0               |  | MFG APPR. |              |
| TWO PLACE DECIMAL ±0.5               |  | Q.A.      |              |
| THREE PLACE DECIMAL ±0.25            |  | COMMENTS: |              |
| INTERPRET GEOMETRIC TOLERANCING PER: |  |           |              |
| MATERIAL                             |  |           |              |
| FINISH                               |  |           |              |
| DO NOT SCALE DRAWING                 |  |           |              |

**PROPRIETARY AND CONFIDENTIAL**

THE INFORMATION CONTAINED IN THIS DRAWING IS THE SOLE PROPERTY OF SPECTRUM ILLUMINATION. ANY REPRODUCTION IN PART OR AS A WHOLE WITHOUT THE WRITTEN PERMISSION OF SPECTRUM ILLUMINATION IS PROHIBITED.

**SPECTRUM ILLUMINATION**  
110 W Washington Ave  
Zeeland, MI 49464

Description:  
Linear Light with T-Slots

|          |              |          |
|----------|--------------|----------|
| SIZE     | DWG. NO.     | REV      |
| <b>B</b> | MLLTxxxx-XXX | <b>A</b> |

SCALE: 1:2 WEIGHT: SHEET 1 OF 3

4

3

2

1

B

B

A

A

4

3

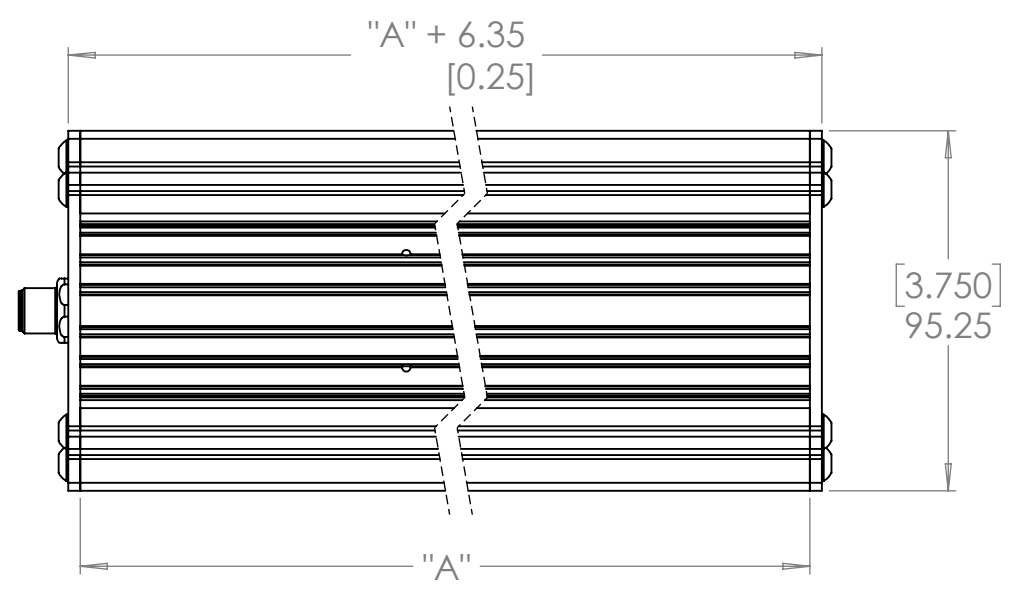
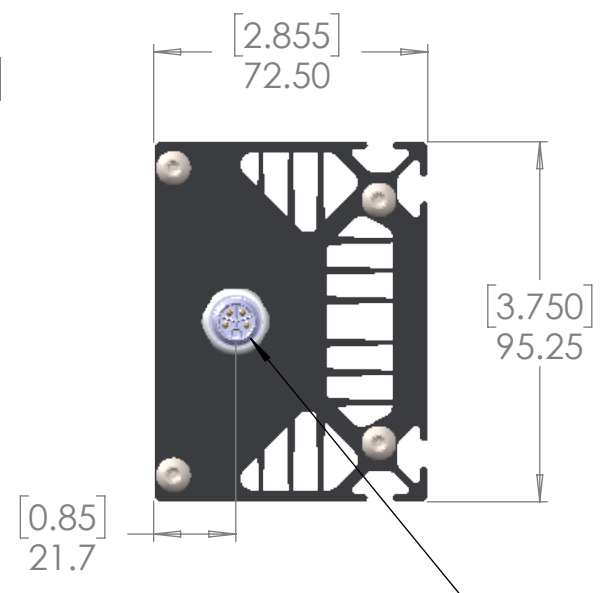
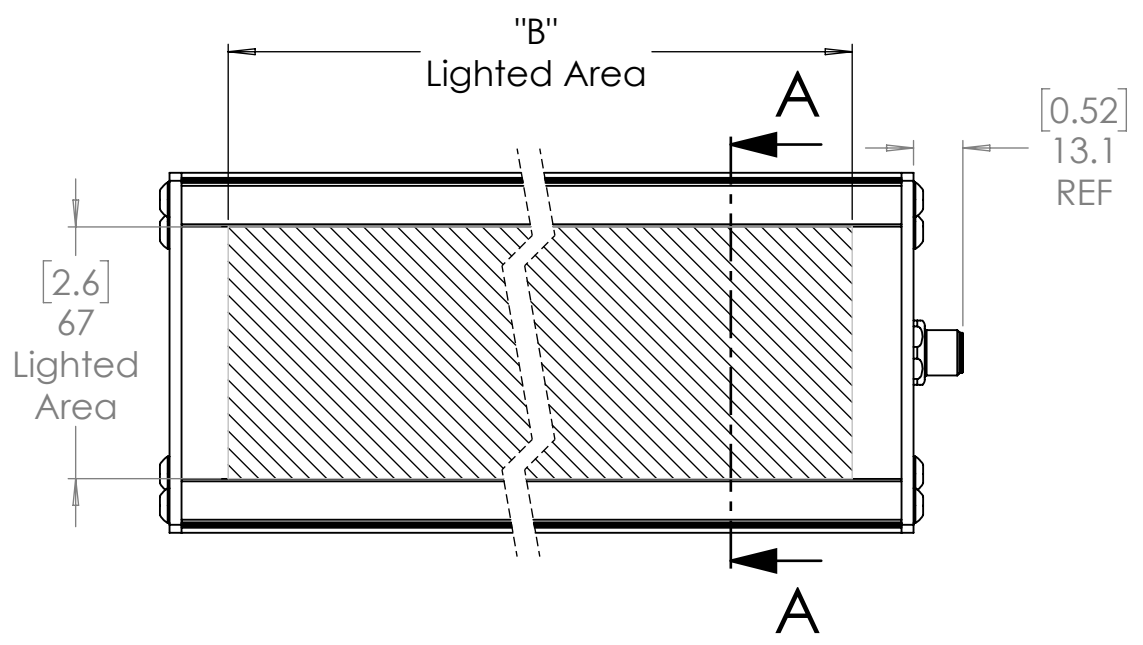
2

1

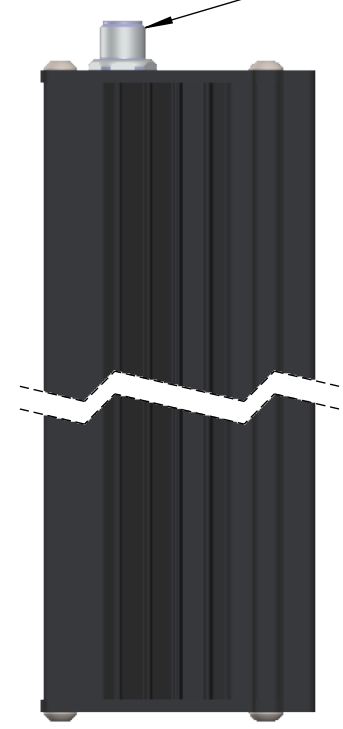
TOP VIEW

END VIEW

BOTTOM VIEW

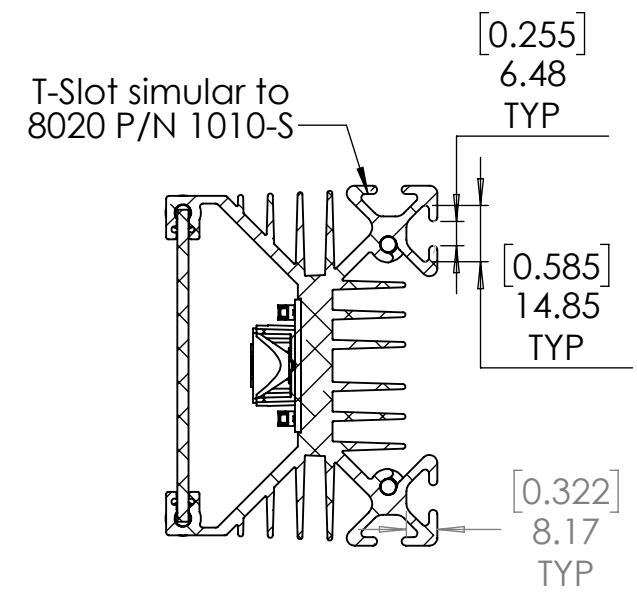


SIDE VIEW

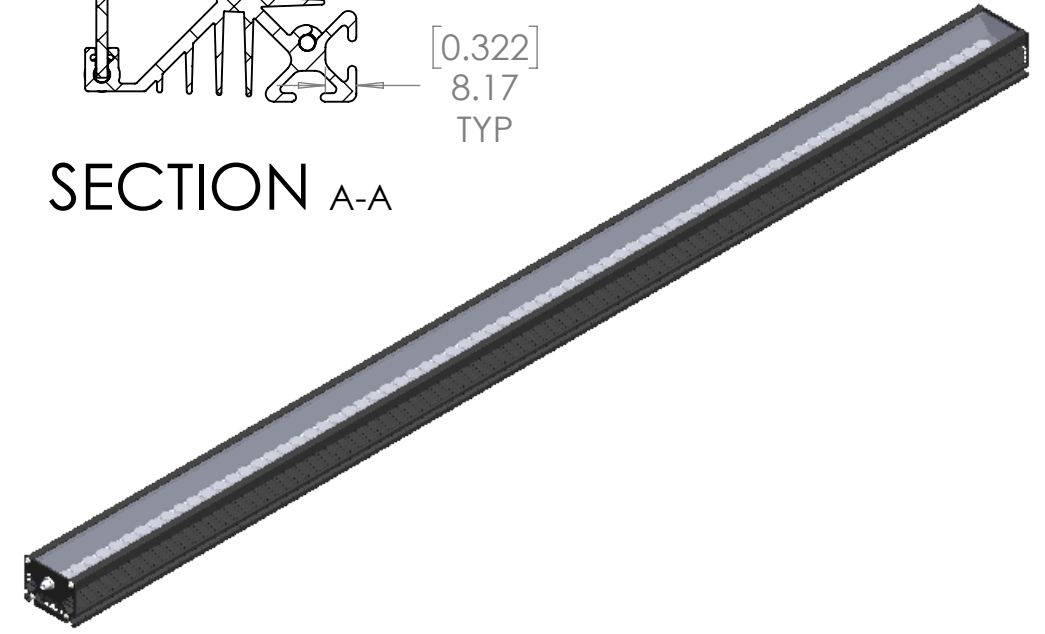


**WARNING !!!**

USE ONLY SPECTRUM ILLUMINATION  
LDM MODEL SPECIFIED ON LIGHT.  
DO NOT CONNECT LIGHT TO 24VDC DIRECTLY.  
FAILURE TO FOLLOW THESE DIRECTIONS WILL  
RESULT IN PREMATURE LED FAILURE  
AND VOID THE WARRANTY.



SECTION A-A



| Model No      | Dim A mm | Dim A inch | Dim B mm | Dim B inch |
|---------------|----------|------------|----------|------------|
| MLLT169-XXX   | 1778     | 70         | 1752.6   | 69         |
| MLLT180.5-XXX | 2070.1   | 81.5       | 2044.7   | 80.5       |

| UNLESS OTHERWISE SPECIFIED:          |  | NAME      | DATE         |
|--------------------------------------|--|-----------|--------------|
| DIMENSIONS ARE IN mm [INCH]          |  | DRAWN     | DJH 03/18/26 |
| TOLERANCES:                          |  | CHECKED   | JV 05/21/26  |
| ANGULAR: MACH ± BEND ±               |  | ENG APPR. |              |
| ONE PLACE DECIMAL ±1.0               |  | MFG APPR. |              |
| TWO PLACE DECIMAL ±0.5               |  | Q.A.      |              |
| THREE PLACE DECIMAL ±0.25            |  | COMMENTS: |              |
| INTERPRET GEOMETRIC TOLERANCING PER: |  |           |              |
| MATERIAL                             |  |           |              |
| FINISH                               |  |           |              |
| DO NOT SCALE DRAWING                 |  |           |              |

**PROPRIETARY AND CONFIDENTIAL**

THE INFORMATION CONTAINED IN THIS DRAWING IS THE SOLE PROPERTY OF SPECTRUM ILLUMINATION. ANY REPRODUCTION IN PART OR AS A WHOLE WITHOUT THE WRITTEN PERMISSION OF SPECTRUM ILLUMINATION IS PROHIBITED.

**SPECTRUM ILLUMINATION**  
110 W Washington Ave  
Zeeland, MI 49464

Description:  
Linear Light with T-Slots

|          |              |          |
|----------|--------------|----------|
| SIZE     | DWG. NO.     | REV      |
| <b>B</b> | MLLTxxxx-XXX | <b>A</b> |

SCALE: 1:2 WEIGHT: SHEET 2 OF 3

4

3

2

1

B

B

A

A

4

3

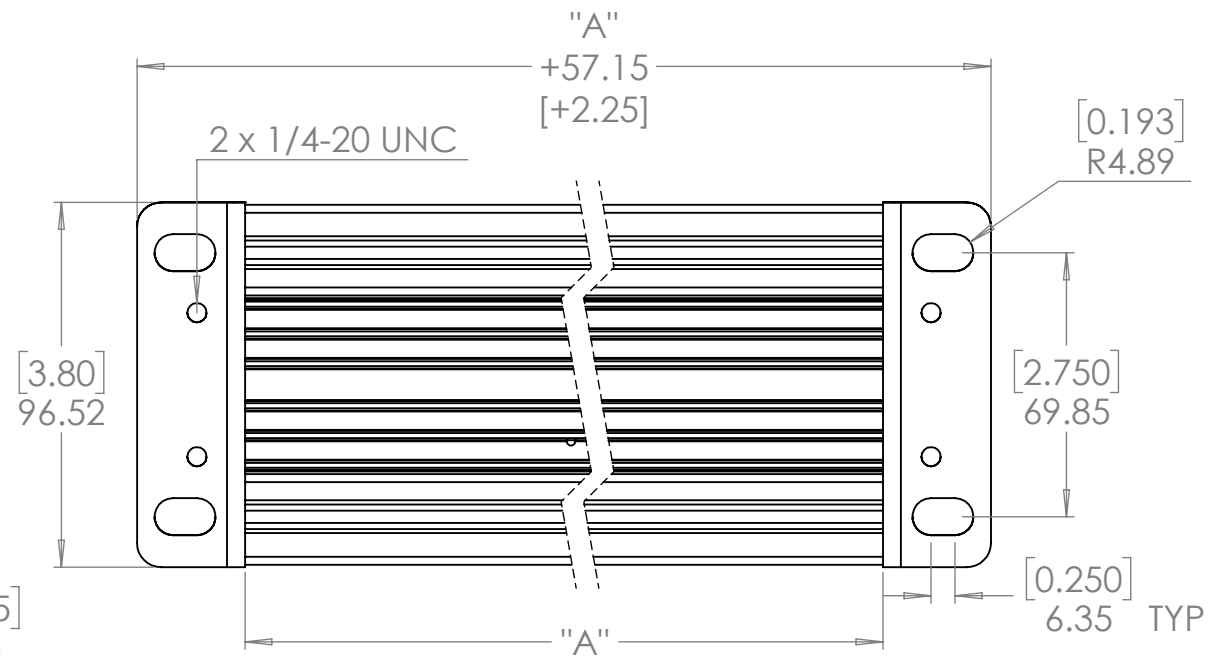
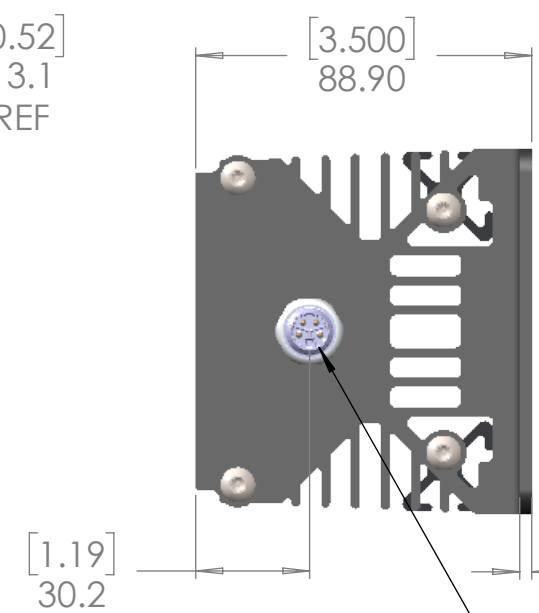
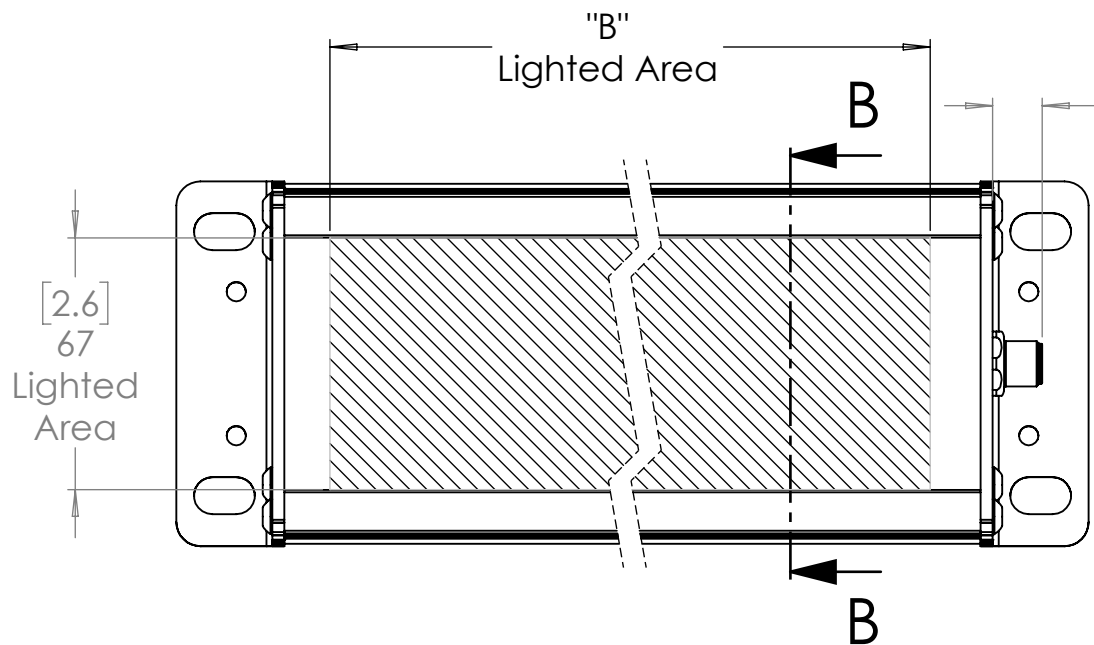
2

1

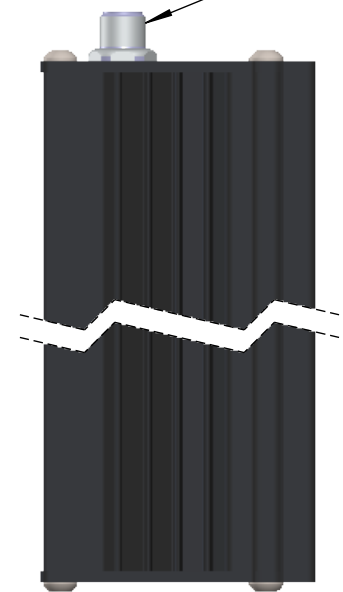
TOP VIEW

END VIEW

BOTTOM VIEW



SIDE VIEW



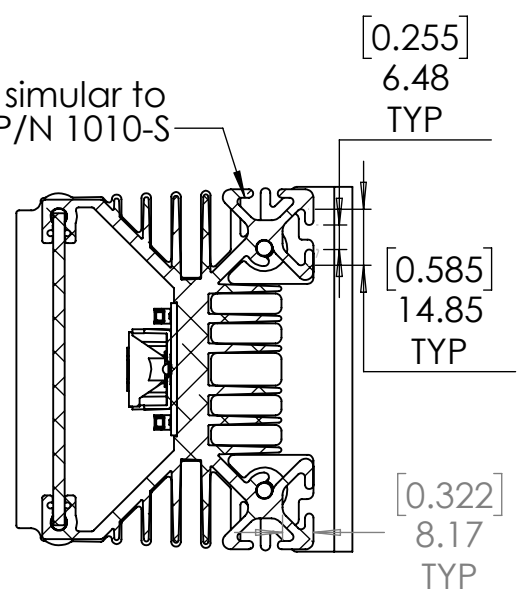
**WARNING !!!**

USE ONLY SPECTRUM ILLUMINATION LDM MODEL SPECIFIED ON LIGHT. DO NOT CONNECT LIGHT TO 24VDC DIRECTLY. FAILURE TO FOLLOW THESE DIRECTIONS WILL RESULT IN PREMATURE LED FAILURE AND VOID THE WARRANTY.

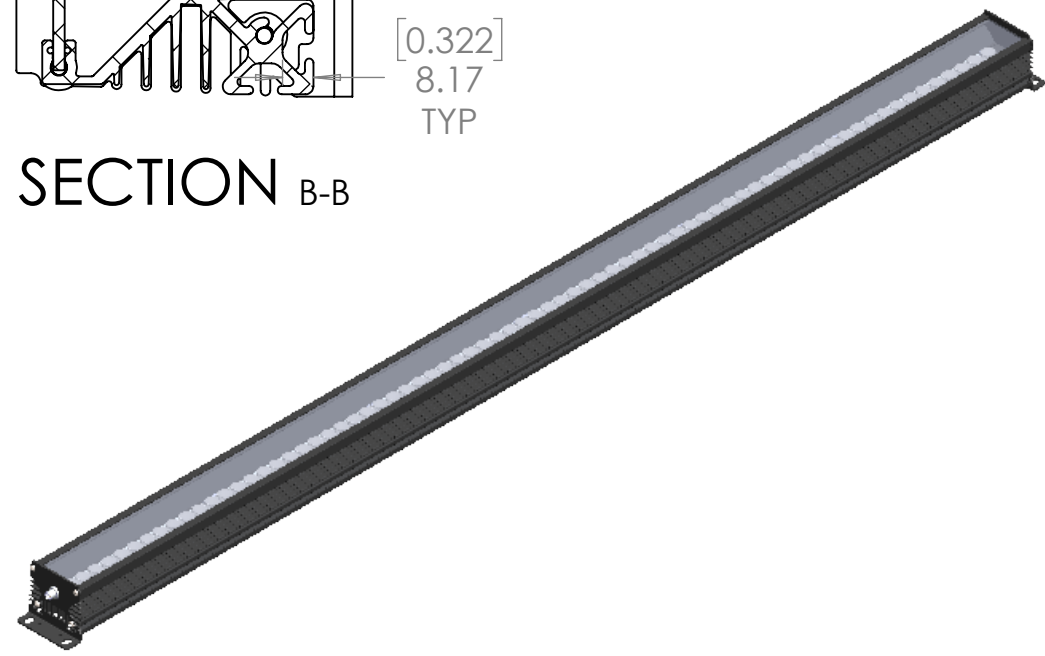
\*L-Code required for lights > 4A (i.e. LDM4200)

**Alternate ends for traditional mounting like HLL and MLL**

T-Slot similar to 8020 P/N 1010-S



SECTION B-B



| Model No           | Dim A mm | Dim A inch | Dim B mm | Dim B inch |
|--------------------|----------|------------|----------|------------|
| MLLT111.5-XXX/BKT  | 317.5    | 12.5       | 292.1    | 11.5       |
| MLLT117.25-XXX/BKT | 463.55   | 18.25      | 438.15   | 17.25      |
| MLLT123-XXX/BKT    | 609.6    | 24         | 584.2    | 23         |
| MLLT128.75-XXX/BKT | 755.65   | 29.75      | 730.25   | 28.75      |
| MLLT134.5-XXX/BKT  | 901.7    | 35.5       | 876.3    | 34.5       |
| MLLT146-XXX/BKT    | 1193.8   | 47         | 1168.4   | 46         |
| MLLT157.5-XXX/BKT  | 1485.9   | 58.5       | 1460.5   | 57.5       |
| MLLT169-XXX/BKT    | 1778     | 70         | 1752.6   | 69         |
| MLLT180.5-XXX/BKT  | 2070.1   | 81.5       | 2044.7   | 80.5       |

| UNLESS OTHERWISE SPECIFIED:          |           | NAME | DATE     |
|--------------------------------------|-----------|------|----------|
| DIMENSIONS ARE IN mm [INCH]          | DRAWN     | DJH  | 03/18/26 |
| TOLERANCES:                          | CHECKED   | JV   | 05/21/26 |
| ANGULAR: MACH ± BEND ±               | ENG APPR. |      |          |
| ONE PLACE DECIMAL ±1.0               | MFG APPR. |      |          |
| TWO PLACE DECIMAL ±0.5               | Q.A.      |      |          |
| THREE PLACE DECIMAL ±0.25            | COMMENTS: |      |          |
| INTERPRET GEOMETRIC TOLERANCING PER: |           |      |          |
| MATERIAL                             |           |      |          |
| FINISH                               |           |      |          |
| DO NOT SCALE DRAWING                 |           |      |          |

**SPECTRUM ILLUMINATION**  
110 W Washington Ave  
Zeeland, MI 49464

Description:  
Linear Light with T-Slots

|          |              |          |
|----------|--------------|----------|
| SIZE     | DWG. NO.     | REV      |
| <b>B</b> | MLLTxxxx-XXX | <b>A</b> |

SCALE: 1:2 WEIGHT: SHEET 3 OF 3

**PROPRIETARY AND CONFIDENTIAL**

THE INFORMATION CONTAINED IN THIS DRAWING IS THE SOLE PROPERTY OF SPECTRUM ILLUMINATION. ANY REPRODUCTION IN PART OR AS A WHOLE WITHOUT THE WRITTEN PERMISSION OF SPECTRUM ILLUMINATION IS PROHIBITED.

4

3

2

1

A

A

B

B