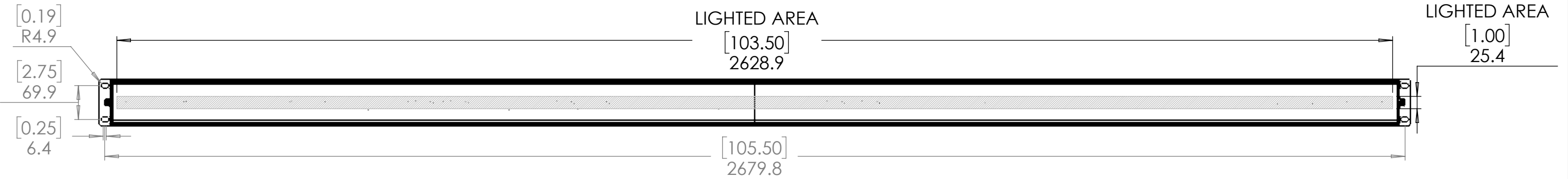


4

3

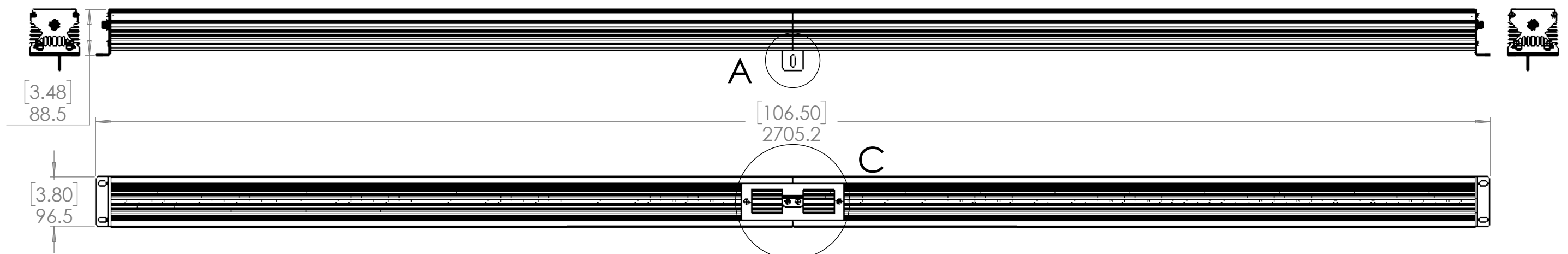
2

1

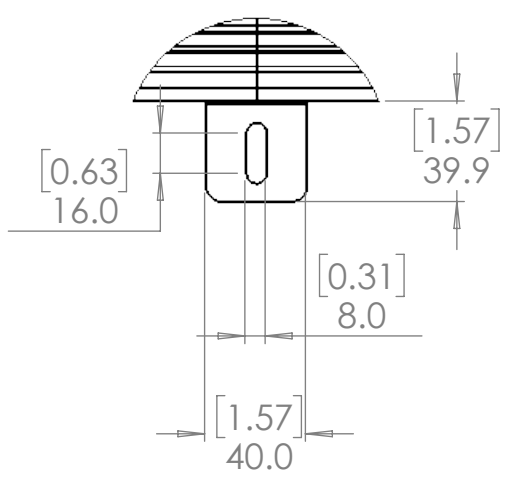


B

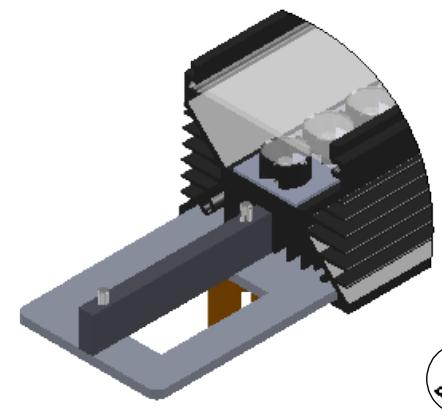
B



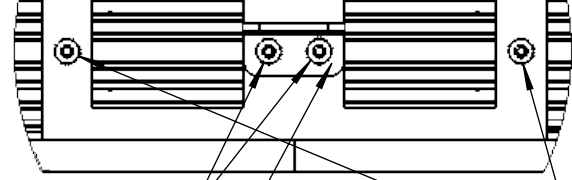
DETAIL A
SCALE 1 : 3



DETAIL B
SCALE 1 : 3



Mating Brackets
Typically shipped
mounted to light



DETAIL C
SCALE 1 : 3

WARNING:
Longer screws will
damage LED boards



A

A

UNLESS OTHERWISE SPECIFIED:		NAME	DATE
DIMENSIONS ARE IN [INCHES] mm		DRAWN	DJH 07/10/20
TOLERANCES:		CHECKED	-
ANGULAR: MACH ± BEND ±		ENG APPR.	
ONE PLACE DECIMAL ±1mm		MFG APPR.	
TWO PLACE DECIMAL ±0.5mm		Q.A.	
THREE PLACE DECIMAL ±0.25mm		COMMENTS:	
INTERPRET GEOMETRIC TOLERANCING PER:			
MATERIAL			
FINISH			
DO NOT SCALE DRAWING			

PROPRIETARY AND CONFIDENTIAL
THE INFORMATION CONTAINED IN THIS DRAWING IS THE SOLE PROPERTY OF SPECTRUM ILLUMINATION INC. ANY REPRODUCTION IN PART OR AS A WHOLE WITHOUT THE WRITTEN PERMISSION OF SPECTRUM ILLUMINATION INC IS PROHIBITED.

SPECTRUM ILLUMINATION
5114 INDUSTRIAL PARK RD.
MONTAGUE, MI 49437

Description:
103.5" / 2629mm Linear Light

SIZE	DWG. NO.	REV
B	MLL1103.5-XXX	A

SCALE: 1:8 WEIGHT: SHEET 1 OF 1

4

3

2

1