

4

3

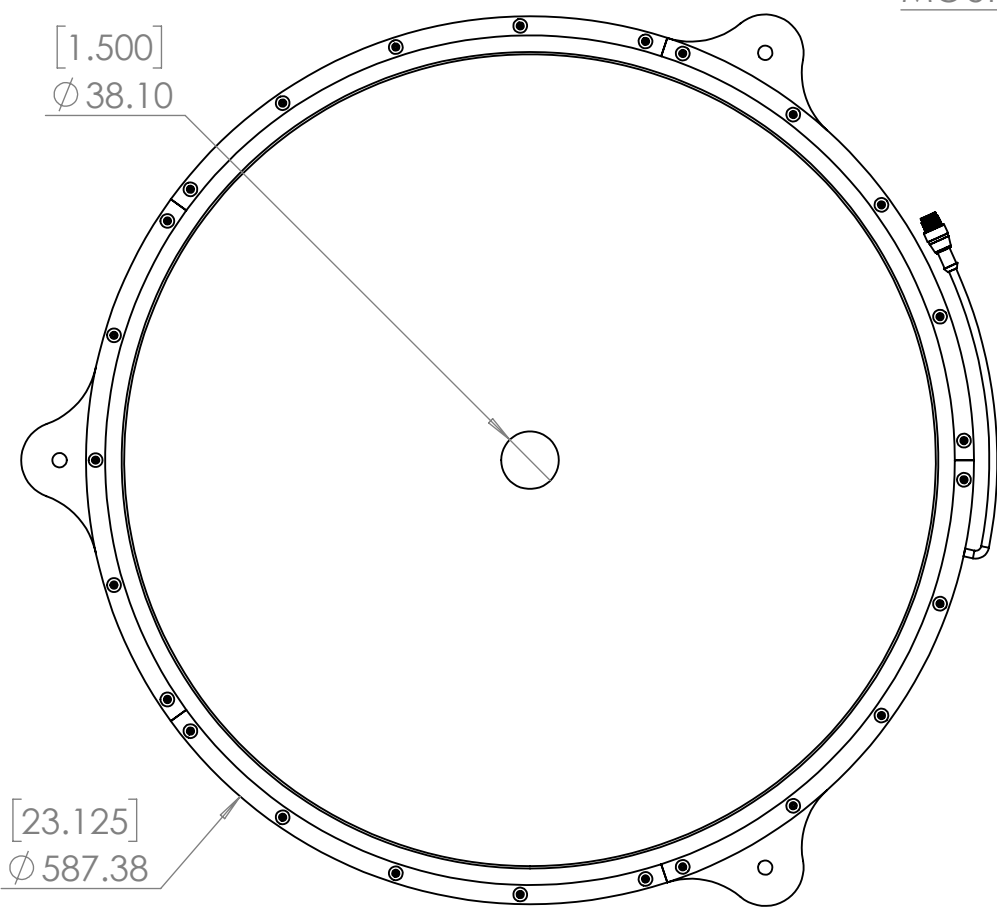
2

1

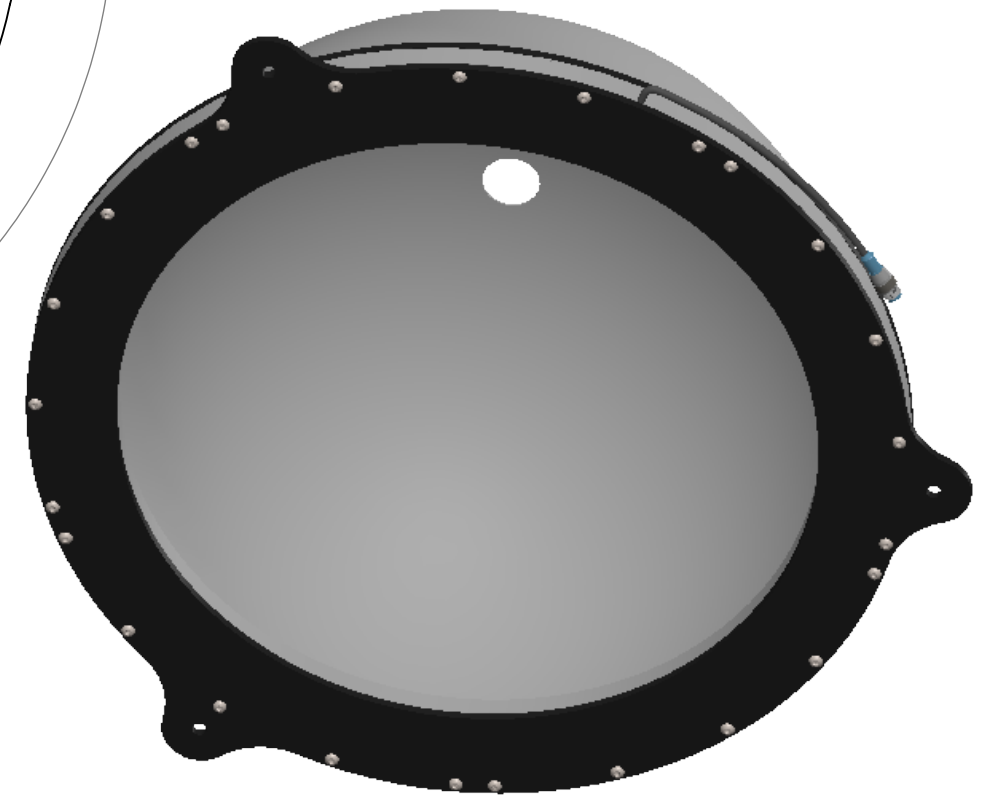
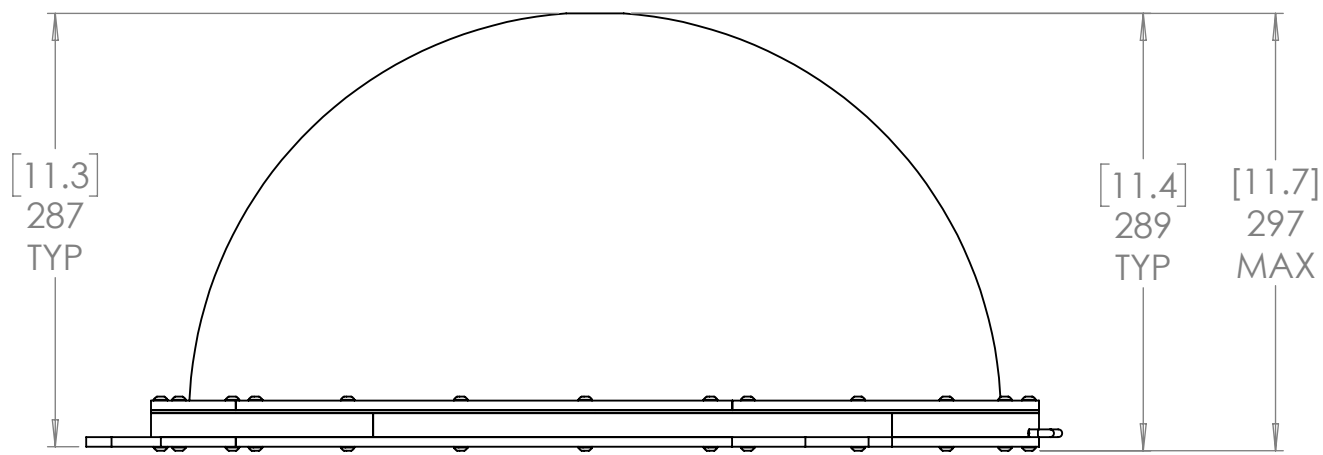
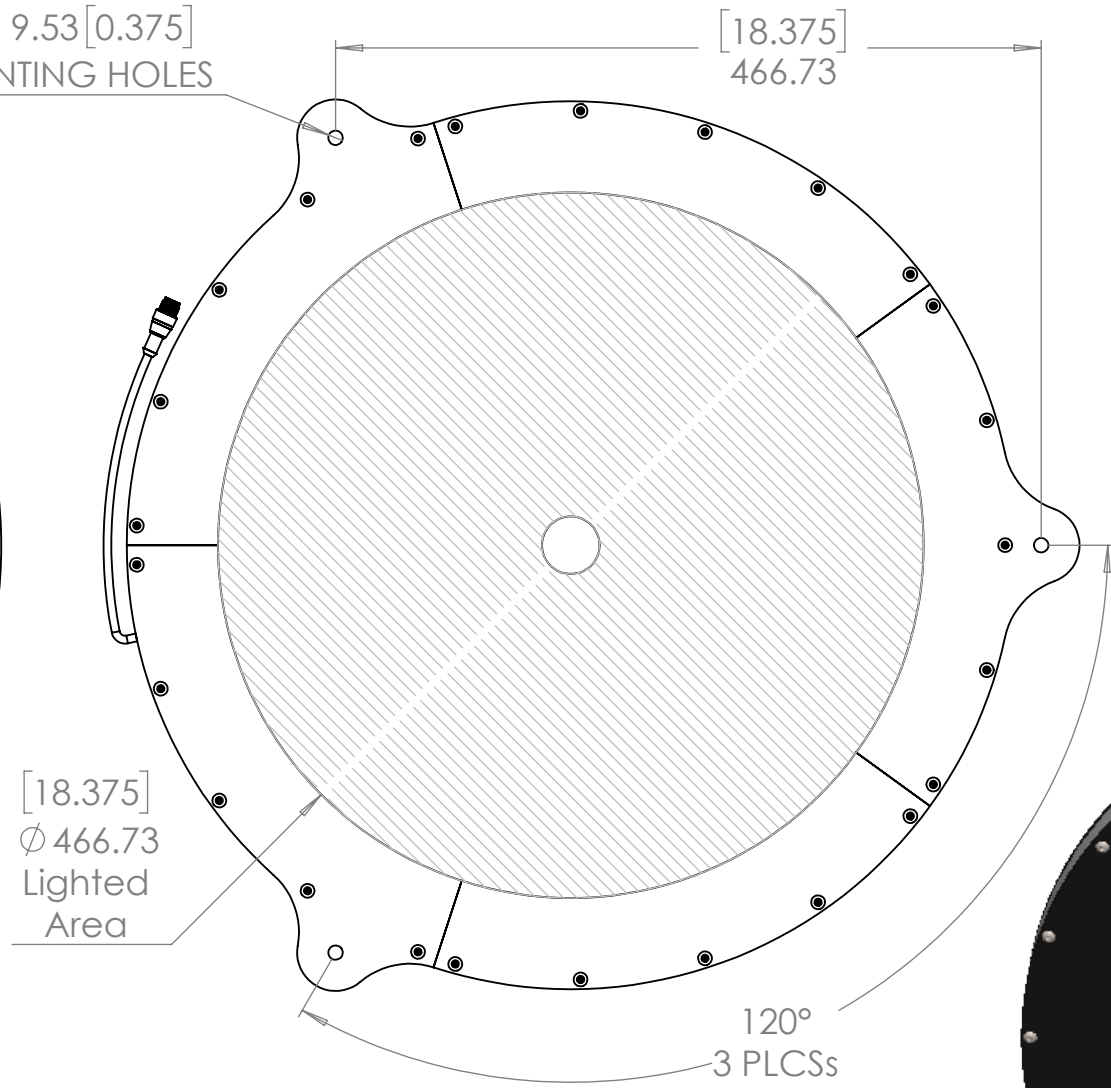
TOP VIEW

BOTTOM VIEW

SIDE VIEW



3X Ø 9.53 [0.375]
MOUNTING HOLES



PROPRIETARY AND CONFIDENTIAL
THE INFORMATION CONTAINED IN THIS DRAWING IS THE SOLE PROPERTY OF SPECTRUM ILLUMINATION INC. ANY REPRODUCTION IN PART OR AS A WHOLE WITHOUT THE WRITTEN PERMISSION OF SPECTRUM ILLUMINATION INC IS PROHIBITED.

UNLESS OTHERWISE SPECIFIED:		NAME	DATE
DIMENSIONS ARE IN mm [INCH]		DRAWN	DJH 01/26/24
TOLERANCES:		CHECKED	DJH 01/26/24
ANGULAR: MACH ± BEND ±		ENG APPR.	
ONE PLACE DECIMAL ±1.0		MFG APPR.	
TWO PLACE DECIMAL ±0.5		Q.A.	
THREE PLACE DECIMAL ±0.25		COMMENTS:	
INTERPRET GEOMETRIC TOLERANCING PER:			
MATERIAL	-		
FINISH	-		
DO NOT SCALE DRAWING			

SPECTRUM ILLUMINATION
5114 INDUSTRIAL PARK RD.
MONTAGUE, MI 49437

Description:
18.25" ID Dome Light

SIZE	DWG. NO.	REV
B	MDL18.25-XXX	A
SCALE: 1:5	WEIGHT:	SHEET 1 OF 1

4

3

2

1

B

B

A

A