

4

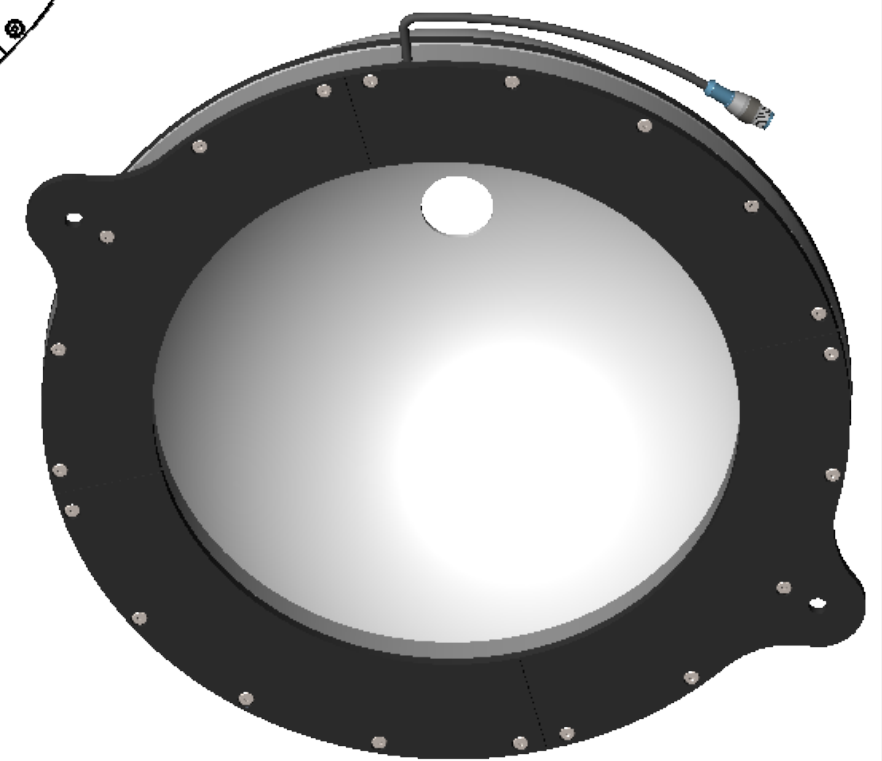
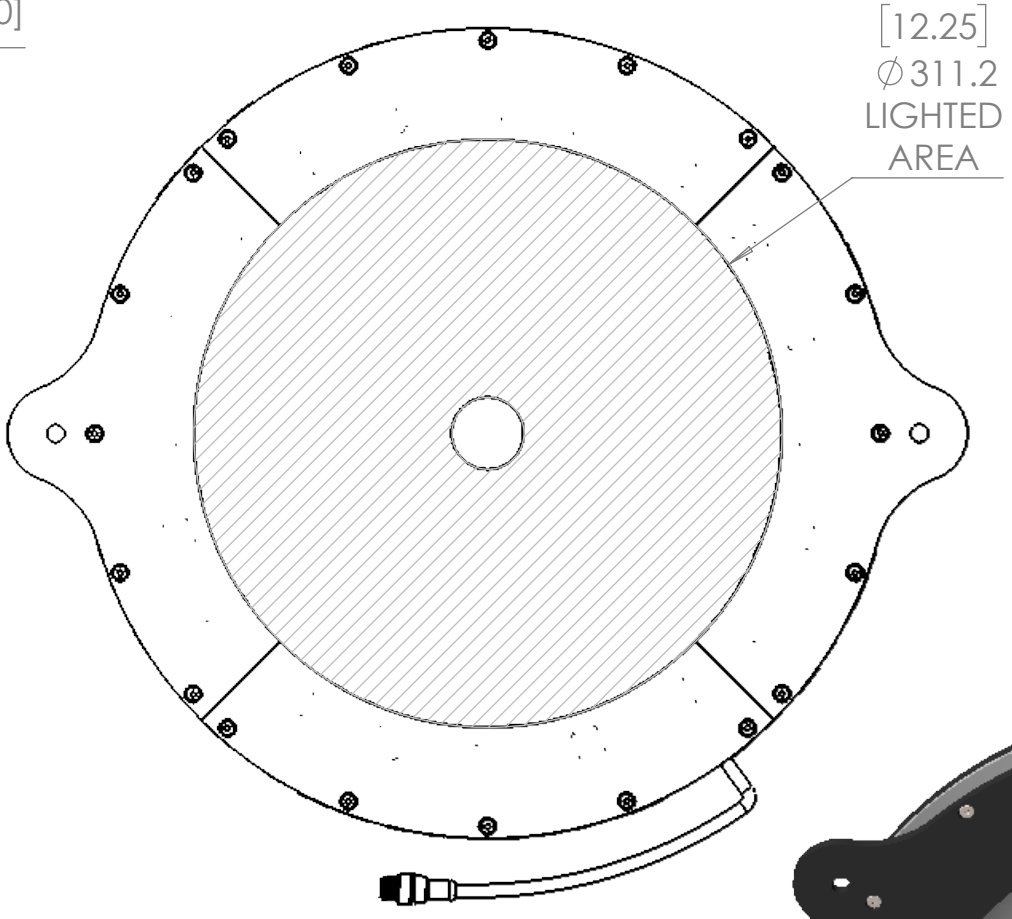
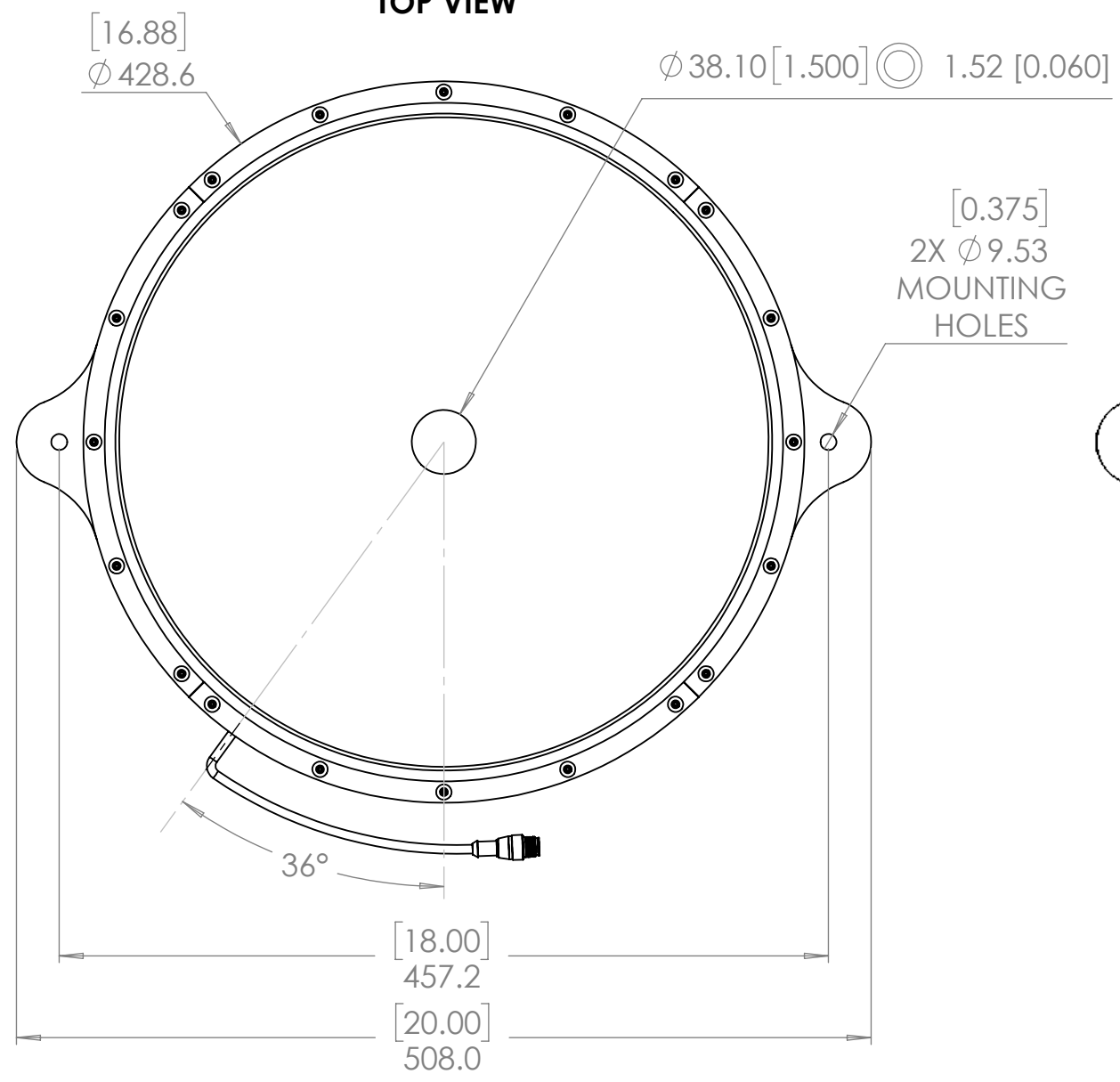
3

2

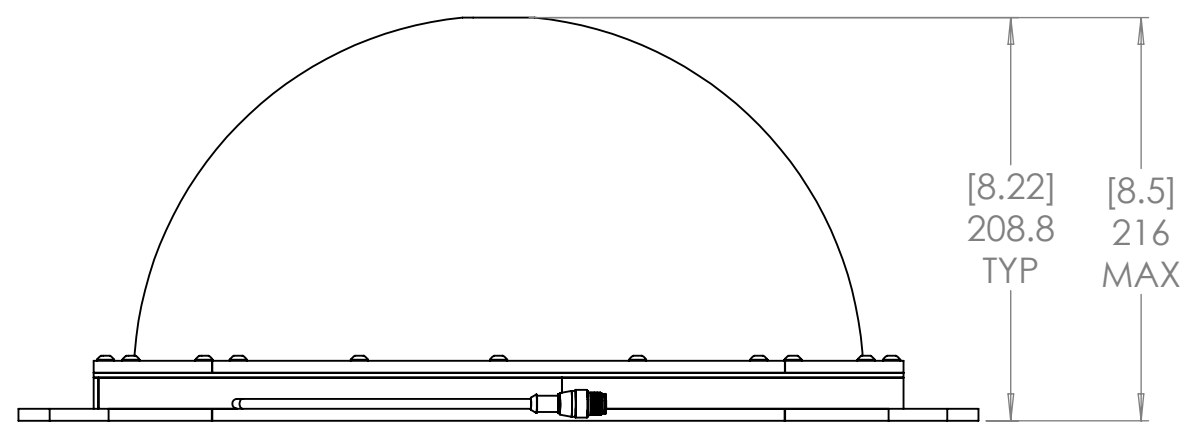
1

TOP VIEW

BOTTOM VIEW



SIDE VIEW



**WARNING**

USE ONLY SPECTRUM ILLUMINATION LDM ADAPTER. DO NOT CONNECT LIGHT TO 24 VDC DIRECTLY. FAILURE TO FOLLOW THESE DIRECTIONS WILL RESULT IN PREMATURE LED FAILURE AND VOID THE WARRANTY.

UNLESS OTHERWISE SPECIFIED:		NAME	DATE
DIMENSIONS ARE IN mm [INCH]		DRAWN	DJH 01/23/24
TOLERANCES:		CHECKED	DJH 01/23/24
ANGULAR: MACH ± BEND ±		ENG APPR.	
ONE PLACE DECIMAL ±1.0		MFG APPR.	
TWO PLACE DECIMAL ±0.5		Q.A.	
THREE PLACE DECIMAL ±0.25		COMMENTS:	
INTERPRET GEOMETRIC TOLERANCING PER:			
MATERIAL			
FINISH			
DO NOT SCALE DRAWING			

**PROPRIETARY AND CONFIDENTIAL**  
THE INFORMATION CONTAINED IN THIS DRAWING IS THE SOLE PROPERTY OF SPECTRUM ILLUMINATION INC. ANY REPRODUCTION IN PART OR AS A WHOLE WITHOUT THE WRITTEN PERMISSION OF SPECTRUM ILLUMINATION INC IS PROHIBITED.

**SPECTRUM ILLUMINATION**  
5114 INDUSTRIAL PARK RD.  
MONTAGUE, MI 49437

Description:  
12.25" ID Dome Light

SIZE	DWG. NO.	REV
<b>B</b>	MDL12.25-XXX	<b>A</b>
SCALE: 1:4	WEIGHT:	SHEET 1 OF 1

4

3

2

1

B

B

A

A