

4

3

2

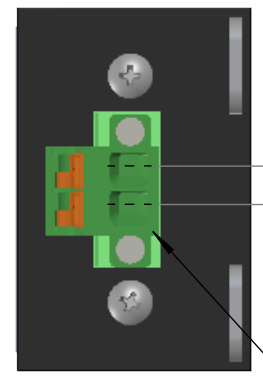
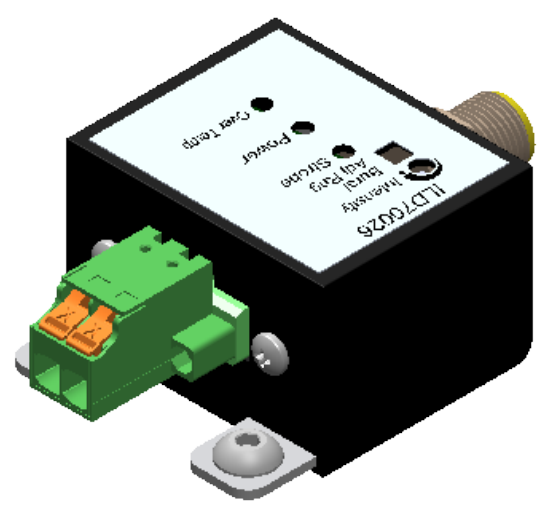
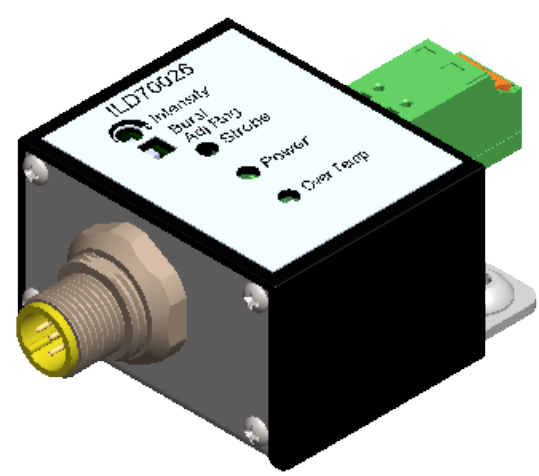
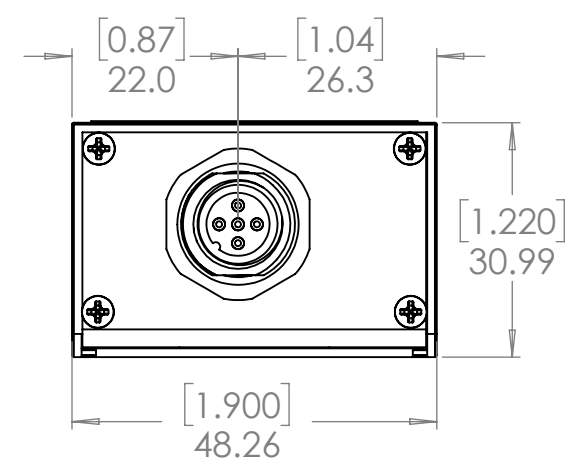
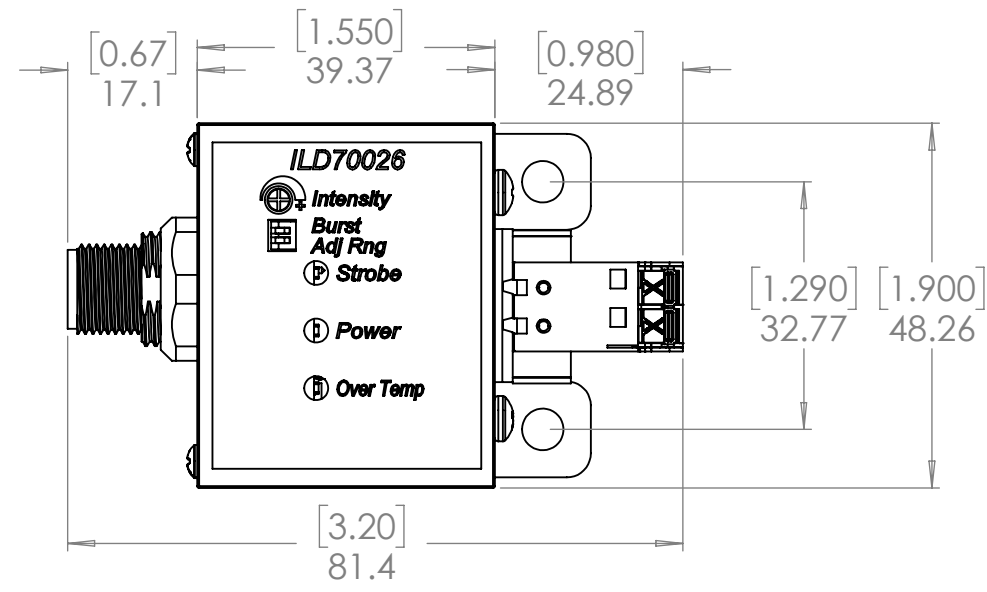
1

B

B

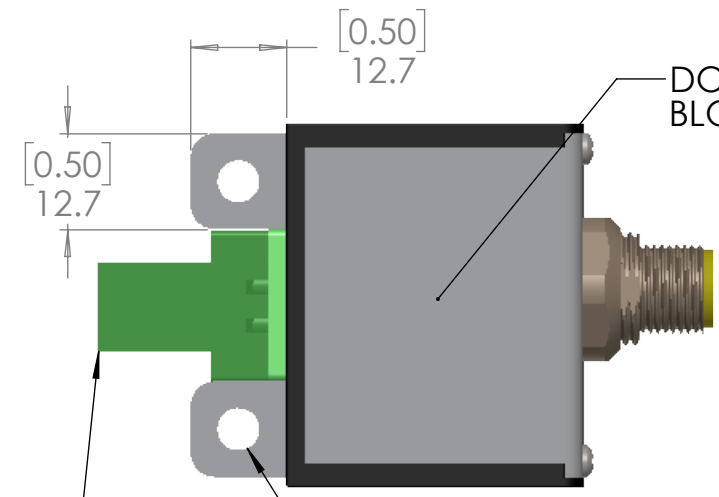
A

A



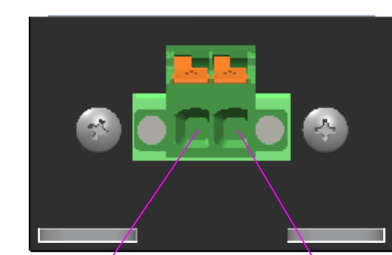
[0.200]
5.08

COMBICON MSTB 2,5
Push-X-connection
(other options
available on request)



Heat Sink
DO NOT COVER/
BLOCK AIR FLOW

Mount Holes
for M5 or
10-32 Screws



LIGHT CALLS FOR	+	-	Equivalent ILD
	USE LIGHT WIRE COLORS		
LDM 350/1	White	Black	ILD35013
LDM 350/2	White	Blue	ILD35013
LDM 350/3	White	GN/YE or Gray	ILD35013
LDM 700	Brown	Blue	ILD70026
LDM 1050	Black	Blue	ILD105037
LDM 1400	Brown	White	ILD140050

UNLESS OTHERWISE SPECIFIED:

DIMENSIONS ARE IN mm [INCH]	DRAWN	NAME	DATE
TOLERANCES: ANGULAR: MACH ± BEND ± ONE PLACE DECIMAL ±1.0 TWO PLACE DECIMAL ±0.5 THREE PLACE DECIMAL ±0.25	CHECKED	DJH	05/08/26
INTERPRET GEOMETRIC TOLERANCING PER:	ENG APPR.		
MATERIAL	MFG APPR.		
FINISH	Q.A.		
DO NOT SCALE DRAWING	COMMENTS:		

PROPRIETARY AND CONFIDENTIAL
THE INFORMATION CONTAINED IN THIS
DRAWING IS THE SOLE PROPERTY OF
SPECTRUM ILLUMINATION. ANY
REPRODUCTION IN PART OR AS A WHOLE
WITHOUT THE WRITTEN PERMISSION OF
SPECTRUM ILLUMINATION IS PROHIBITED.

SPECTRUM ILLUMINATION
110 W Washington Ave
Zeeland, MI 49464

Description:
In Line Driver

SIZE	DWG. NO.	REV
B	ILDxxxxXX	A
SCALE: 1:1	WEIGHT:	SHEET 1 OF 1