

4

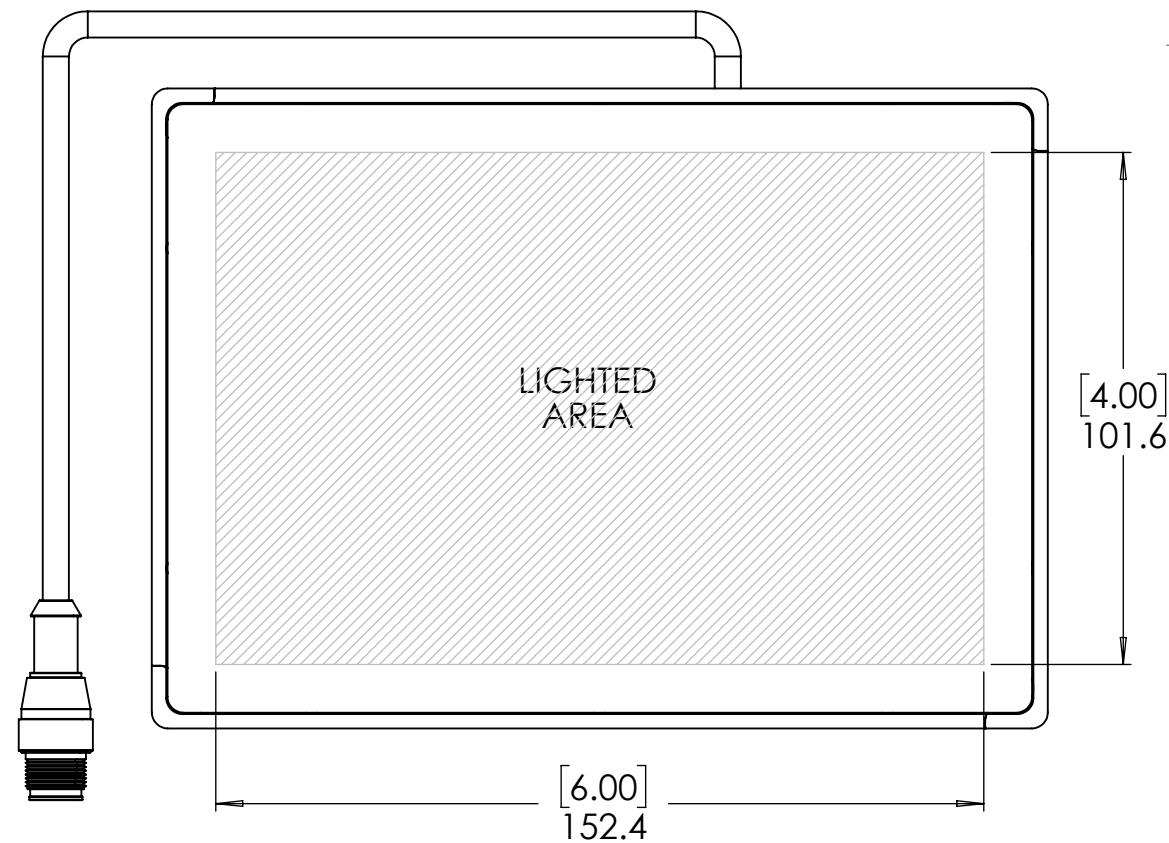
3

2

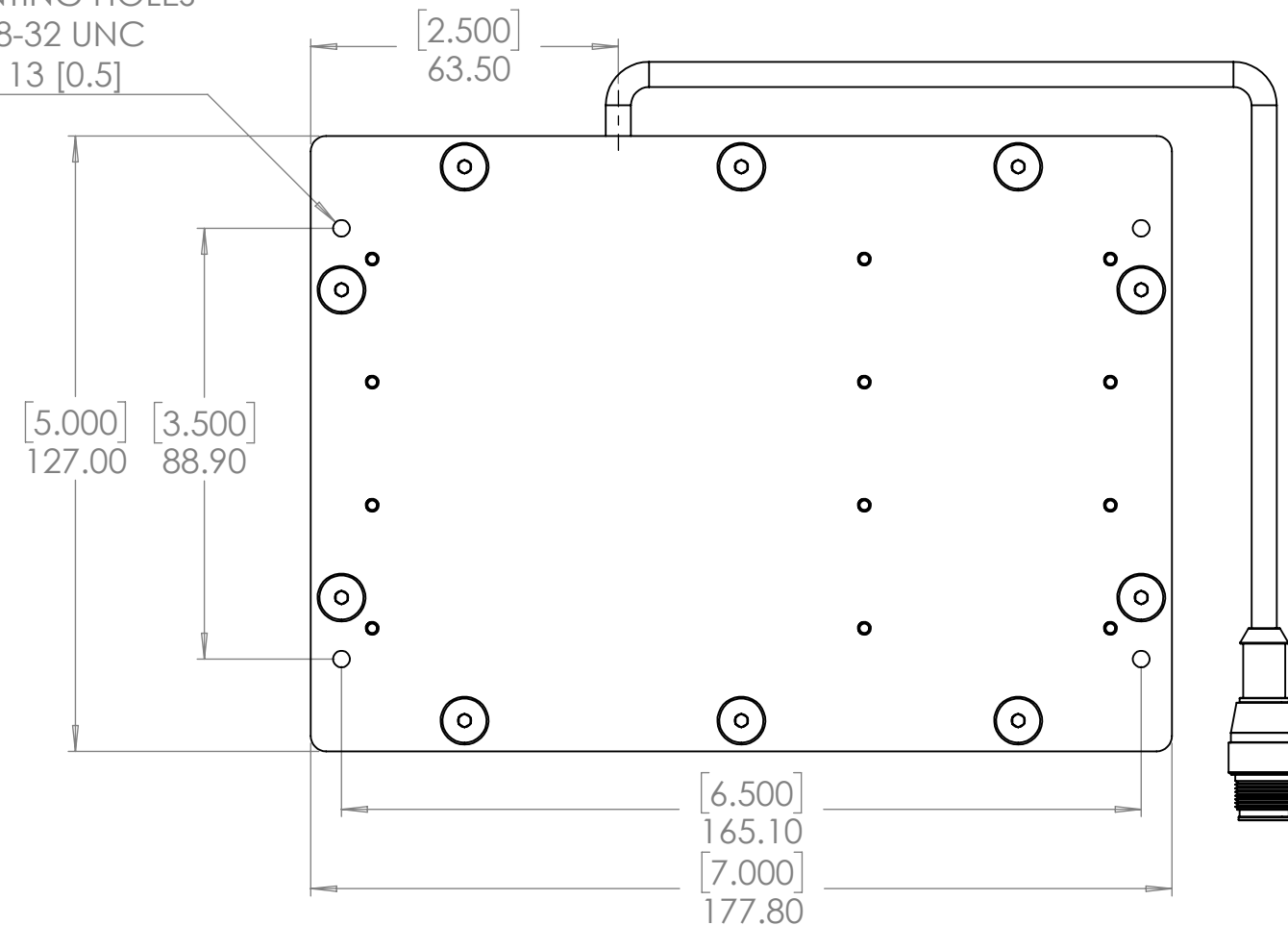
1

TOP VIEW

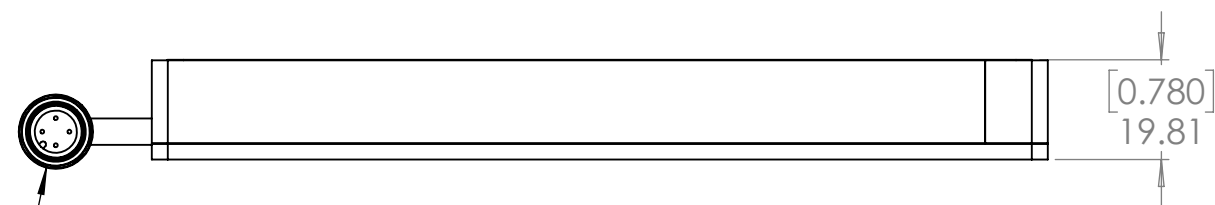
BOTTOM VIEW



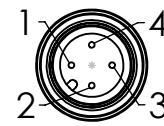
MOUNTING HOLES
4 x 8-32 UNC
▽ 13 [0.5]



SIDE VIEW



STANDARD EUROFAST M12 4-PIN MALE CONNECTOR



- PIN 1 - BROWN / +24VDC
- PIN 2 - WHITE / N/C
- PIN 3 - BLUE / +24VDC RTN
- PIN 4 - BLACK / STROBE-CONTINUOUS

PROPRIETARY AND CONFIDENTIAL

THE INFORMATION CONTAINED IN THIS DRAWING IS THE SOLE PROPERTY OF SPECTRUM ILLUMINATION INC. ANY REPRODUCTION IN PART OR AS A WHOLE WITHOUT THE WRITTEN PERMISSION OF SPECTRUM ILLUMINATION INC IS PROHIBITED.

| UNLESS OTHERWISE SPECIFIED: | | NAME | DATE |
|--------------------------------------|-----|-----------|--------------|
| DIMENSIONS ARE IN mm [INCH] | | DRAWN | DJH 04/23/21 |
| TOLERANCES: | | CHECKED | - |
| ANGULAR: MACH ± BEND ± | | ENG APPR. | |
| ONE PLACE DECIMAL ±1.0 | | MFG APPR. | |
| TWO PLACE DECIMAL ±0.5 | | Q.A. | |
| THREE PLACE DECIMAL ±0.25 | | COMMENTS: | |
| INTERPRET GEOMETRIC TOLERANCING PER: | | | |
| MATERIAL | N/A | | |
| FINISH | N/A | | |
| DO NOT SCALE DRAWING | | | |

SPECTRUM ILLUMINATION
5114 INDUSTRIAL PARK RD.
MONTAGUE, MI 49437

Description:
4" x 6" Conveyor Backlight

| | | |
|----------|-----------|----------|
| SIZE | DWG. NO. | REV |
| B | EBL46-XXX | A |

SCALE: 1:1.5 WEIGHT: SHEET 1 OF 1

4

3

2

1

B

B

A

A