

4

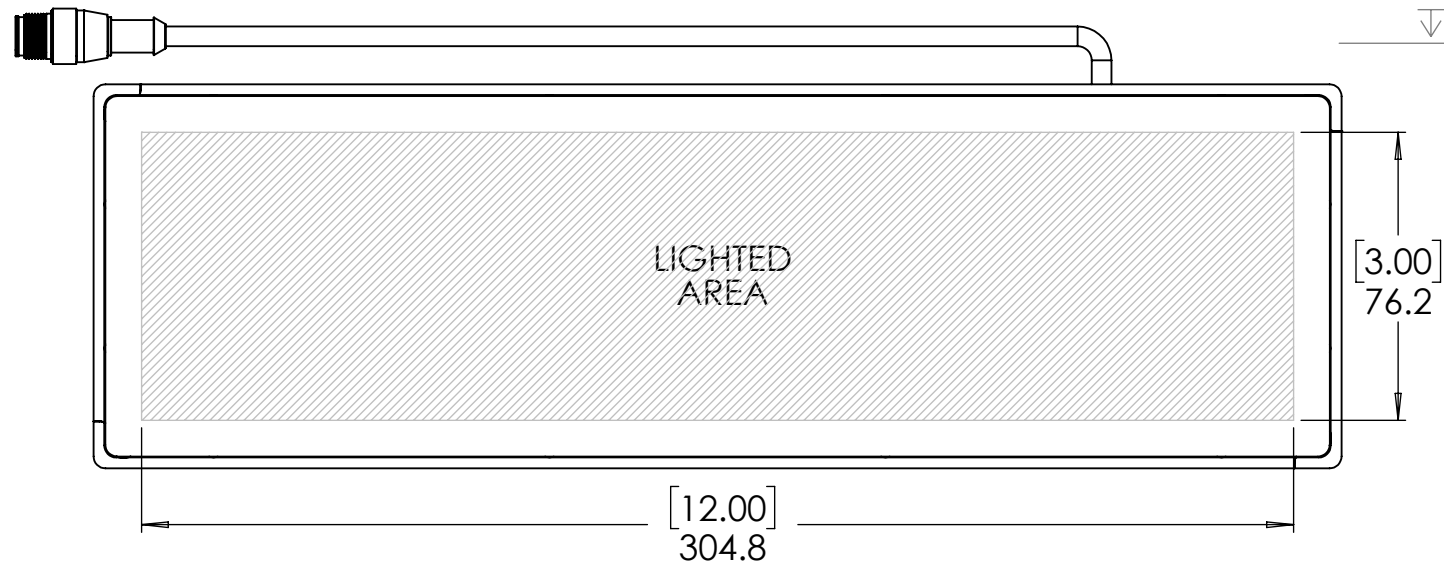
3

2

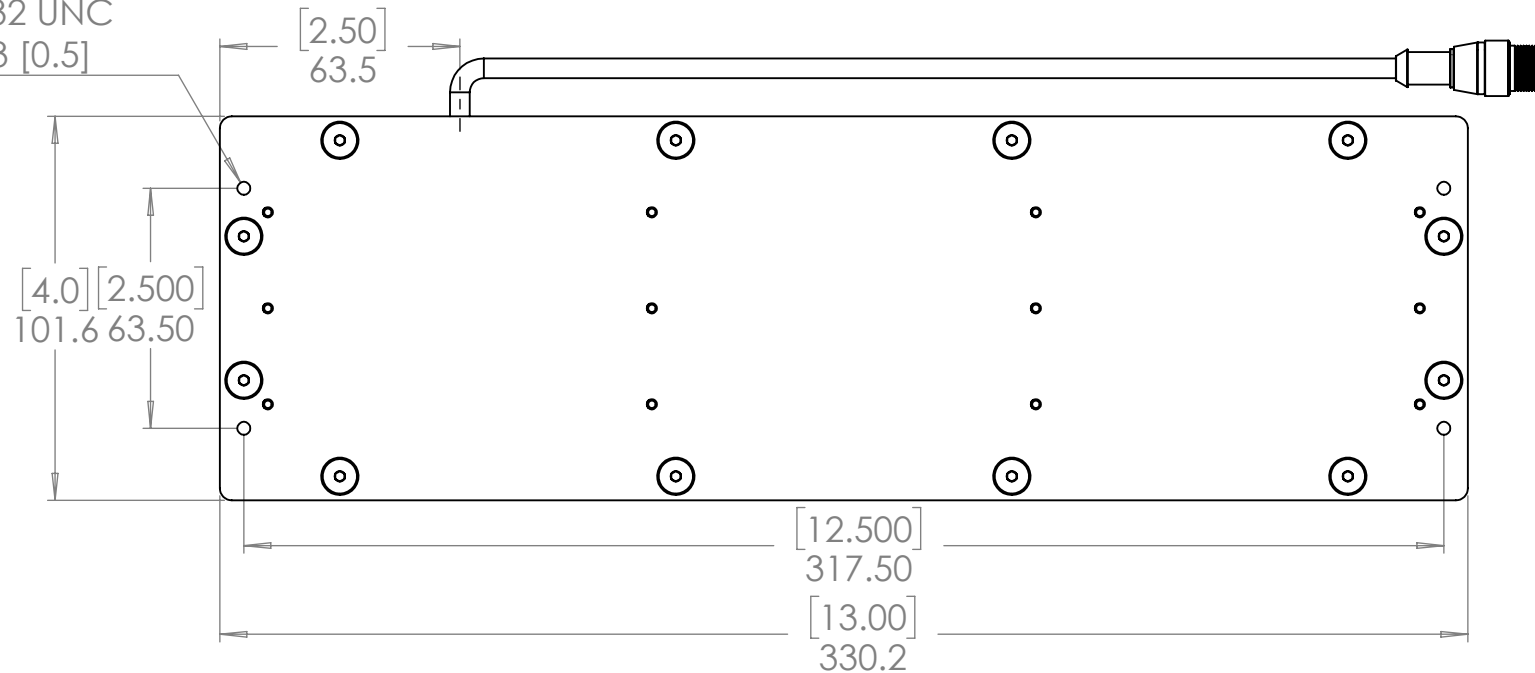
1

TOP VIEW

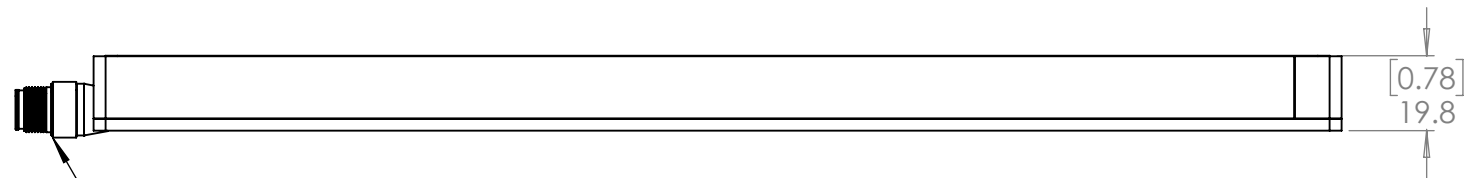
BOTTOM VIEW



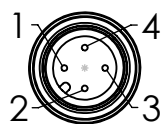
MOUNTING HOLES
4 x 8-32 UNC
▽ 13 [0.5]



SIDE VIEW



STANDARD EUROFAST M12 4-PIN MALE CONNECTOR



- PIN 1 - BROWN / +24VDC
- PIN 2 - WHITE / N/C
- PIN 3 - BLUE / +24VDC RTN
- PIN 4 - BLACK / STROBE-CONTINUOUS

PROPRIETARY AND CONFIDENTIAL

THE INFORMATION CONTAINED IN THIS DRAWING IS THE SOLE PROPERTY OF SPECTRUM ILLUMINATION INC. ANY REPRODUCTION IN PART OR AS A WHOLE WITHOUT THE WRITTEN PERMISSION OF SPECTRUM ILLUMINATION INC IS PROHIBITED.

UNLESS OTHERWISE SPECIFIED:		NAME	DATE
DIMENSIONS ARE IN mm [INCH]	DRAWN	DJH	04/23/21
TOLERANCES:	CHECKED	-	-
ANGULAR: MACH ± BEND ±	ENG APPR.		
ONE PLACE DECIMAL ±1.0	MFG APPR.		
TWO PLACE DECIMAL ±0.5	Q.A.		
THREE PLACE DECIMAL ±0.25	COMMENTS:		
INTERPRET GEOMETRIC TOLERANCING PER:			
MATERIAL			
FINISH			
DO NOT SCALE DRAWING			

SPECTRUM ILLUMINATION
5114 INDUSTRIAL PARK RD.
MONTAGUE, MI 49437

Description:
3" x 12" Conveyor Backlight

SIZE	DWG. NO.	REV
B	EBL312-XXX	A

SCALE: 1:2 WEIGHT: SHEET 1 OF 1

4

3

2

1