

4

3

2

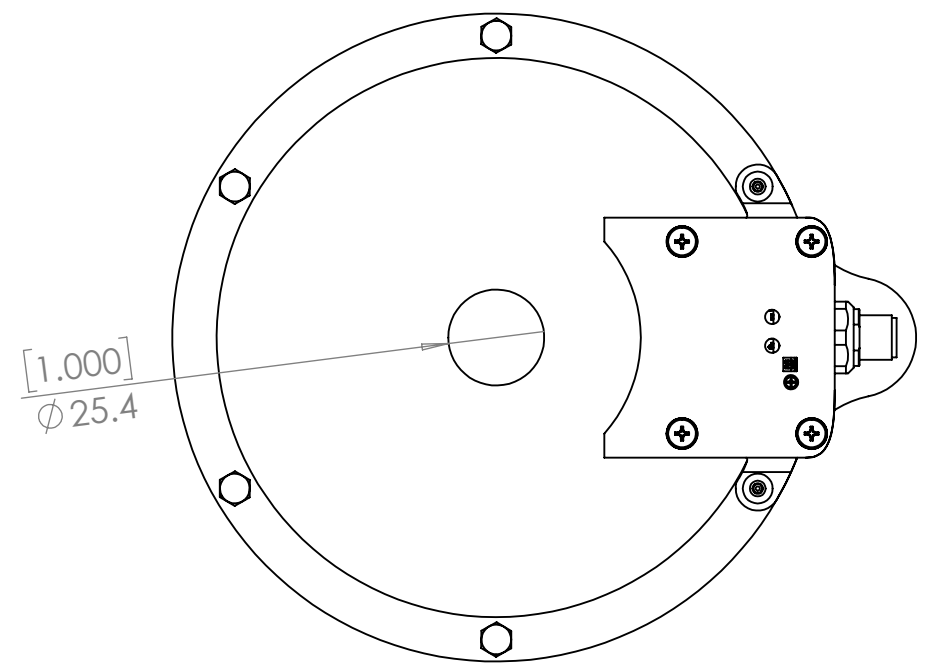
1

B

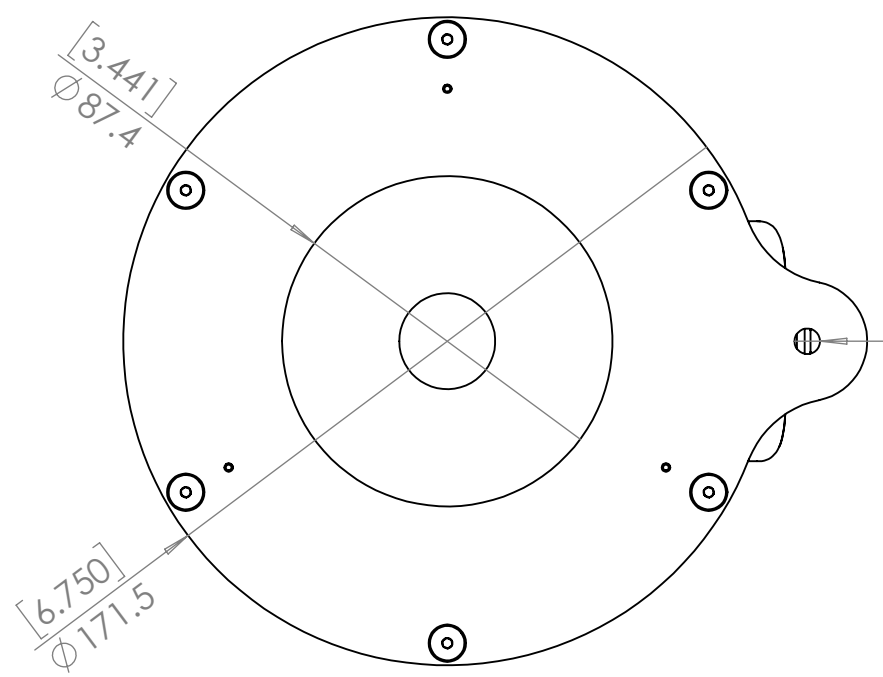
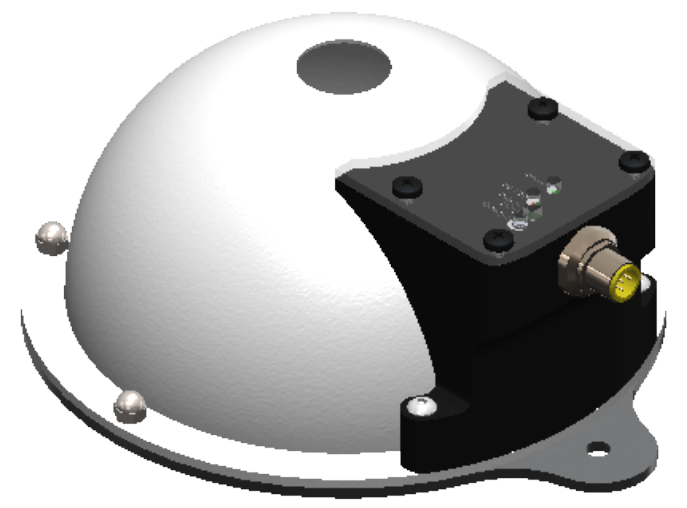
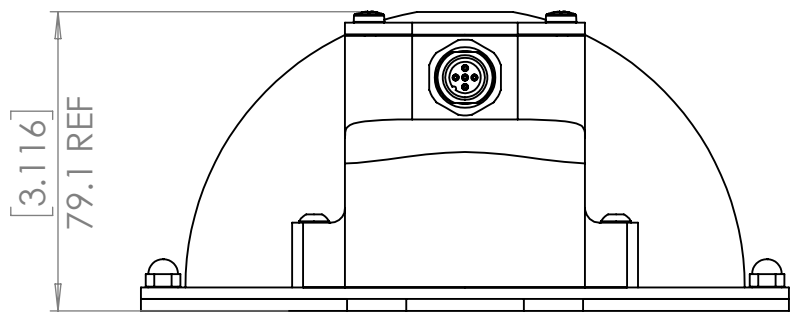
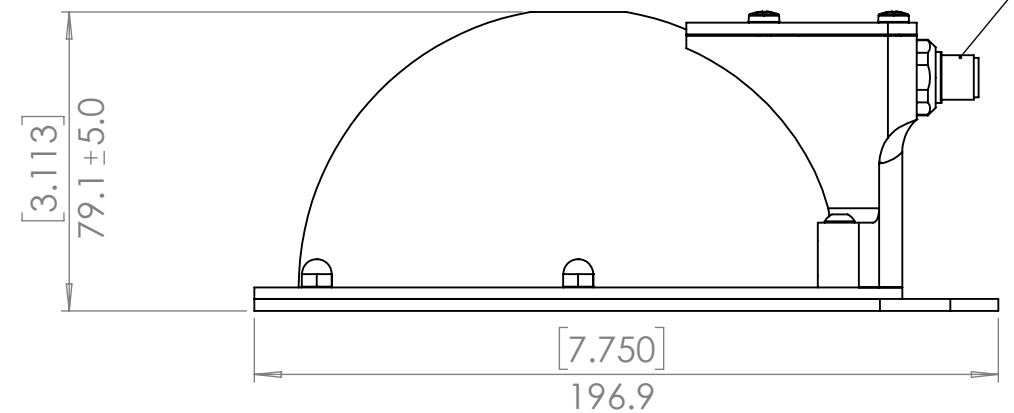
B

A

A



MT2 Connector
24VDC 0.7A typ
2.5A pk Input



[0.266]
Ø 6.8
MOUNT

PROPRIETARY AND CONFIDENTIAL
THE INFORMATION CONTAINED IN THIS DRAWING IS THE SOLE PROPERTY OF SPECTRUM ILLUMINATION. ANY REPRODUCTION IN PART OR AS A WHOLE WITHOUT THE WRITTEN PERMISSION OF SPECTRUM ILLUMINATION IS PROHIBITED.

		UNLESS OTHERWISE SPECIFIED:	NAME	DATE		
		DIMENSIONS ARE IN mm [INCHES]	DRAWN	DJH	12/10/18	TITLE: 85mm Dome Light with Internal LED Driver
		TOLERANCES:	CHECKED			
		FRACTIONAL: ±	ENG APPR.			
		ANGULAR: MACH ± BEND ±	MFG APPR.			
		ONE PLACE DECIMAL ±0.5	Q.A.			SIZE DWG. NO. REV B DLD85-XXX A
		TWO PLACE DECIMAL ±0.25	COMMENTS:			
		INTERPRET GEOMETRIC TOLERANCING PER:				SCALE: 1:2 WEIGHT:
		MATERIAL				SHEET 1 OF 1
NEXT ASSY	USED ON	FINISH				
APPLICATION		DO NOT SCALE DRAWING				

4

3

2

1