

4

3

2

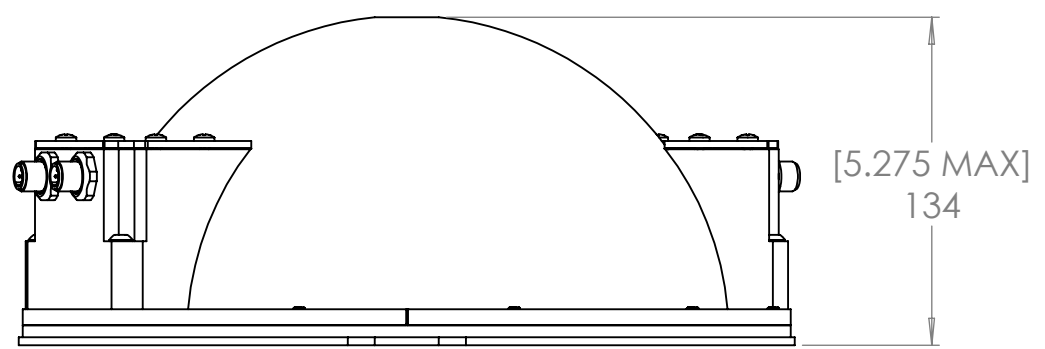
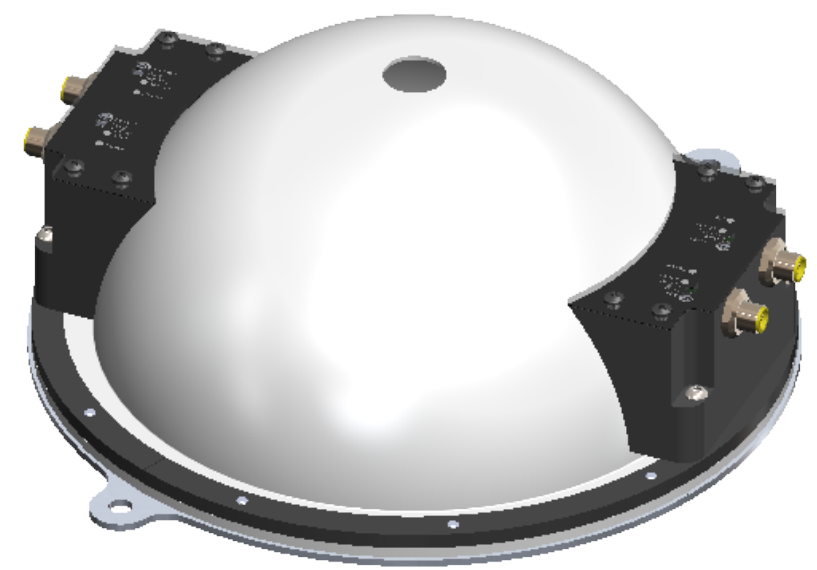
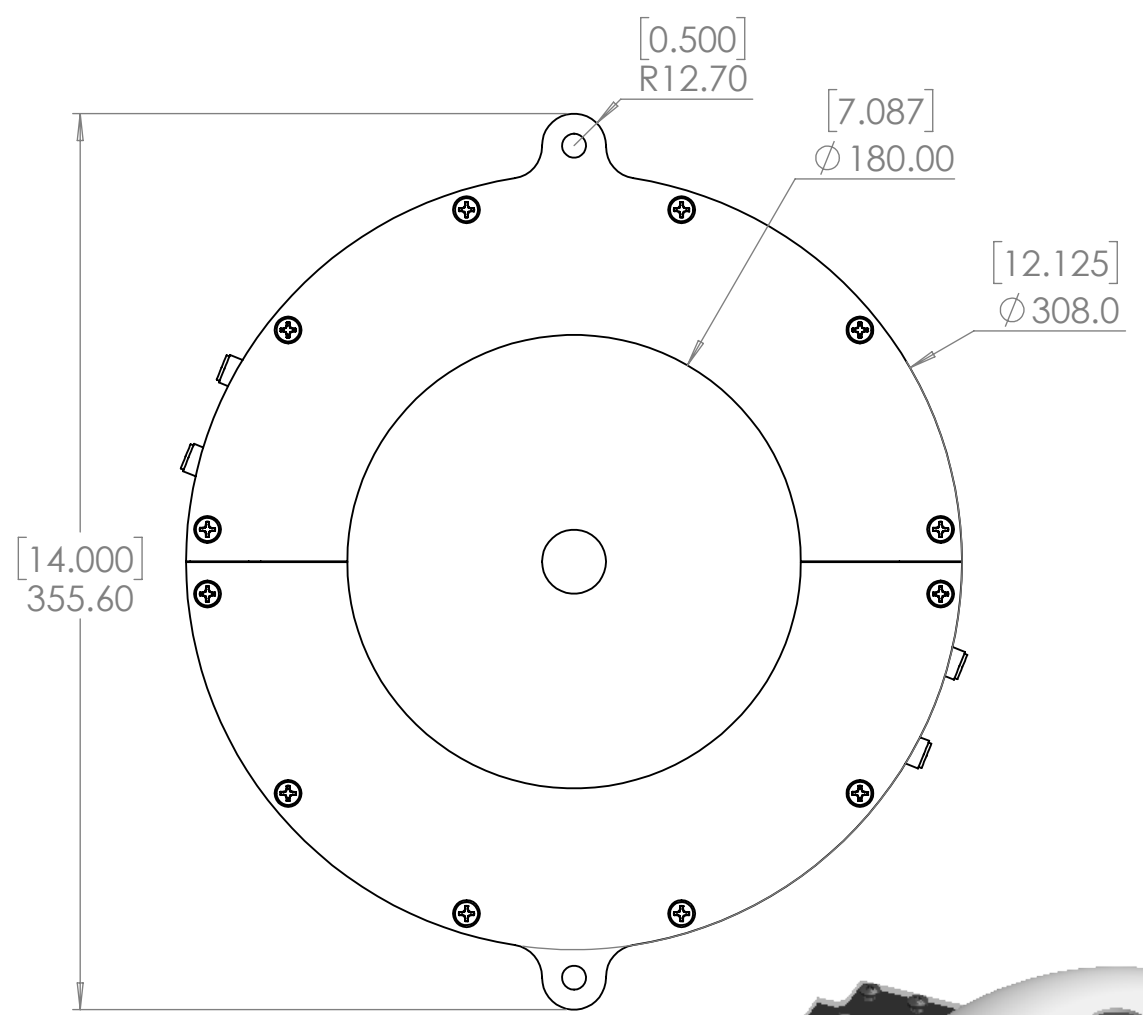
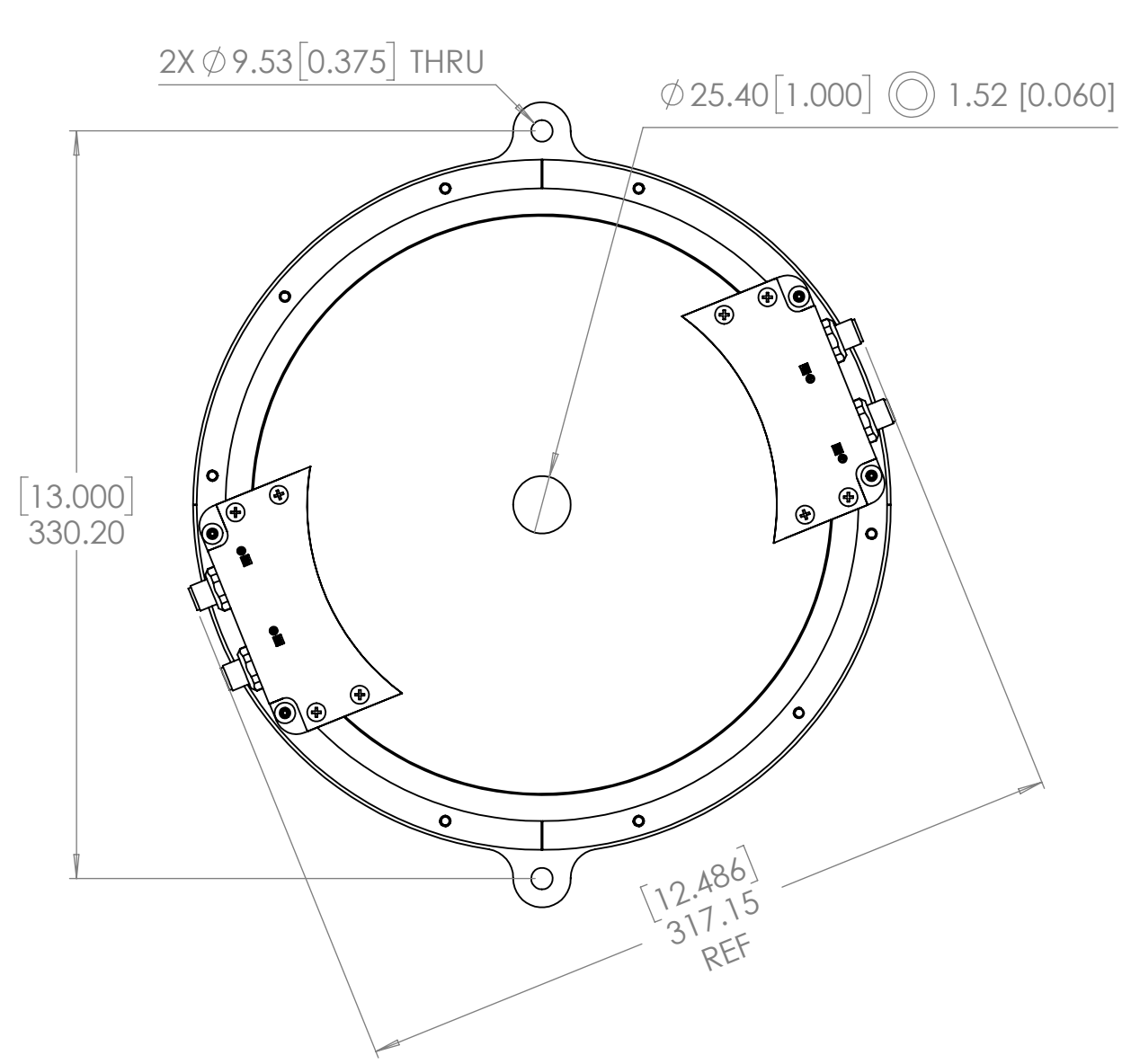
1

B

B

A

A



UNLESS OTHERWISE SPECIFIED:		NAME	DATE
DIMENSIONS ARE IN mm [INCH]		DRAWN	DJH 05/04/23
TOLERANCES:		CHECKED	-
ANGULAR: MACH $\pm$ BEND $\pm$		ENG APPR.	
ONE PLACE DECIMAL $\pm$ 1.0		MFG APPR.	
TWO PLACE DECIMAL $\pm$ 0.5		Q.A.	
THREE PLACE DECIMAL $\pm$ 0.25		COMMENTS:	
INTERPRET GEOMETRIC TOLERANCING PER:			
MATERIAL			
FINISH			
DO NOT SCALE DRAWING			

**PROPRIETARY AND CONFIDENTIAL**  
 THE INFORMATION CONTAINED IN THIS DRAWING IS THE SOLE PROPERTY OF SPECTRUM ILLUMINATION INC. ANY REPRODUCTION IN PART OR AS A WHOLE WITHOUT THE WRITTEN PERMISSION OF SPECTRUM ILLUMINATION INC IS PROHIBITED.

**SPECTRUM ILLUMINATION**  
 5114 INDUSTRIAL PARK RD.  
 MONTAGUE, MI 49437

Description:		
DLD180 - 1 to 4 Channel Dome		
SIZE	DWG. NO.	REV
<b>B</b>	DLD180-XXX	<b>A</b>
SCALE: 1:3	WEIGHT:	SHEET 1 OF 1

4

3

2

1