

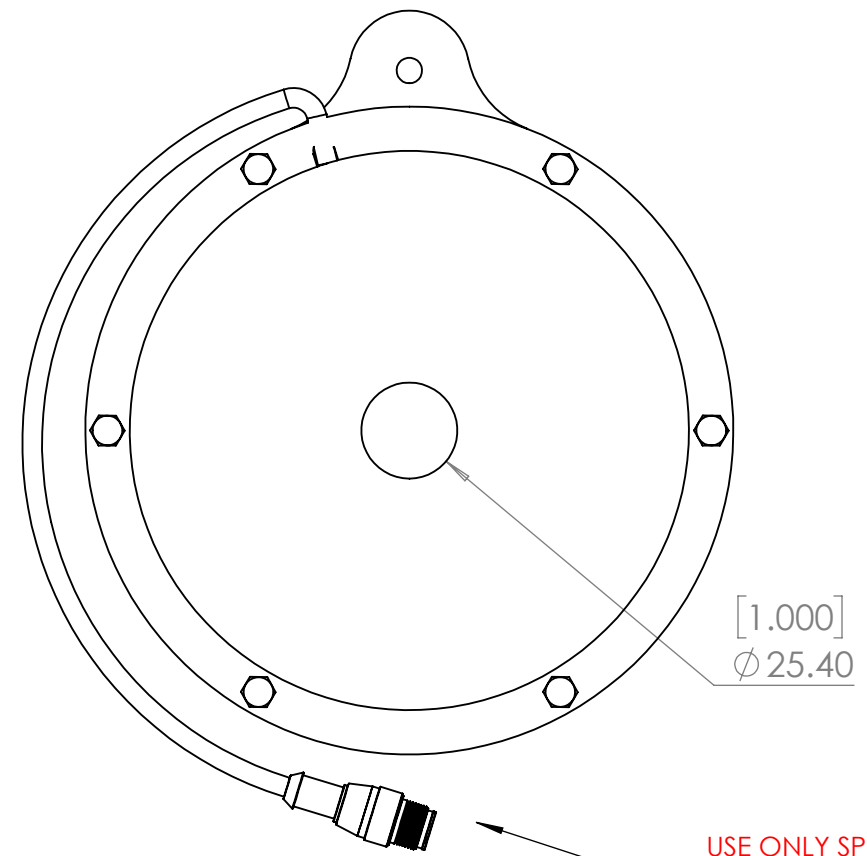
4

3

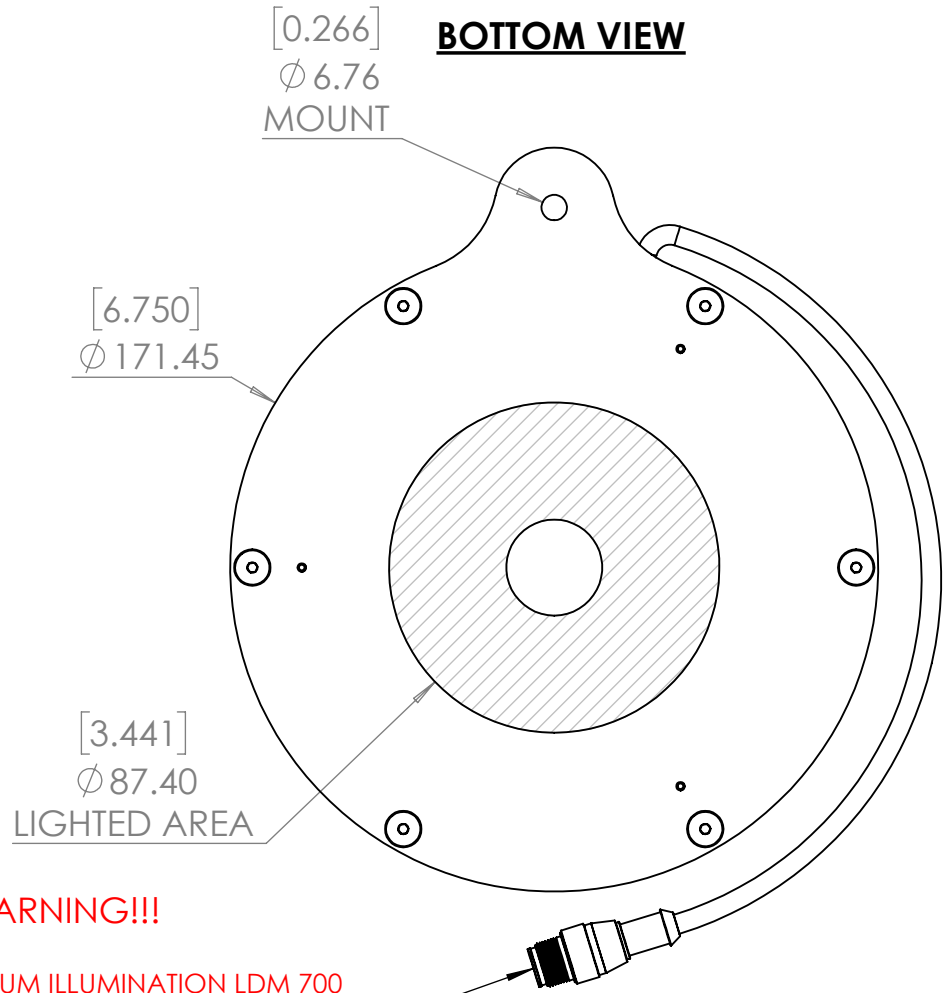
2

1

**TOP VIEW**



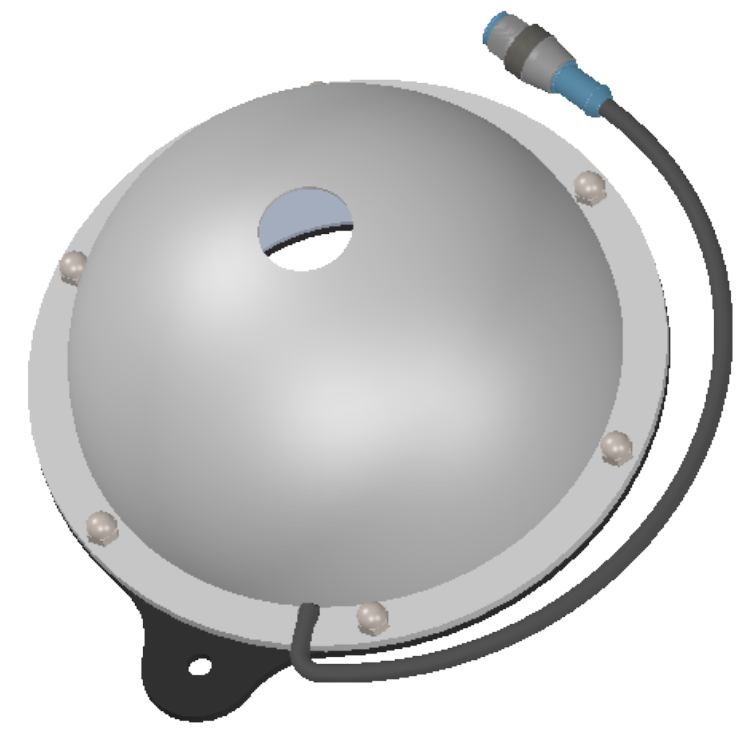
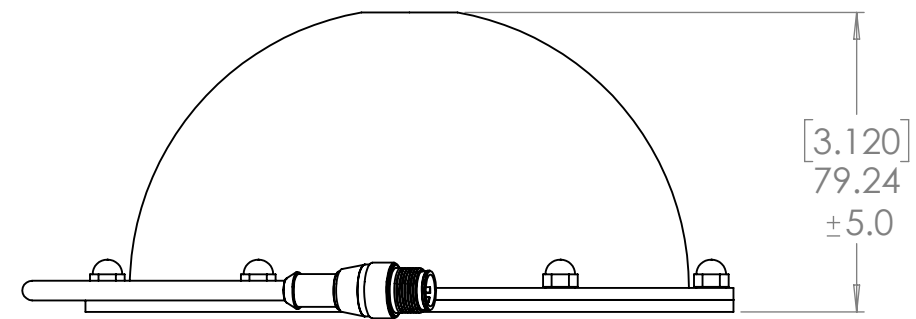
**BOTTOM VIEW**



**WARNING!!!**

USE ONLY SPECTRUM ILLUMINATION LDM 700 ADAPTER. DO NOT CONNECT LIGHT TO 24VDC DIRECTLY. FAILURE TO FOLLOW THESE DIRECTIONS WILL RESULT IN PREMATURE LED FAILURE AND VOID THE WARRANTY.

**SIDE VIEW**



UNLESS OTHERWISE SPECIFIED:		NAME	DATE
DIMENSIONS ARE IN mm [INCH]		DRAWN	DJH 06/02/21
TOLERANCES:		CHECKED	-
ANGULAR: MACH ± BEND ±		ENG APPR.	
ONE PLACE DECIMAL ±1.0		MFG APPR.	
TWO PLACE DECIMAL ±0.5		Q.A.	
THREE PLACE DECIMAL ±0.25		COMMENTS:	
INTERPRET GEOMETRIC TOLERANCING PER:			
MATERIAL			
FINISH			
DO NOT SCALE DRAWING			

**PROPRIETARY AND CONFIDENTIAL**  
 THE INFORMATION CONTAINED IN THIS DRAWING IS THE SOLE PROPERTY OF SPECTRUM ILLUMINATION INC. ANY REPRODUCTION IN PART OR AS A WHOLE WITHOUT THE WRITTEN PERMISSION OF SPECTRUM ILLUMINATION INC IS PROHIBITED.

**SPECTRUM ILLUMINATION**  
 5114 INDUSTRIAL PARK RD.  
 MONTAGUE, MI 49437

Description:  
 4-Segment 85mm Dome Light

SIZE	DWG. NO.	REV
<b>B</b>	DL85-XXX	<b>A</b>

SCALE: 1:2 WEIGHT: SHEET 1 OF 1

4

3

2

1

B

B

A

A