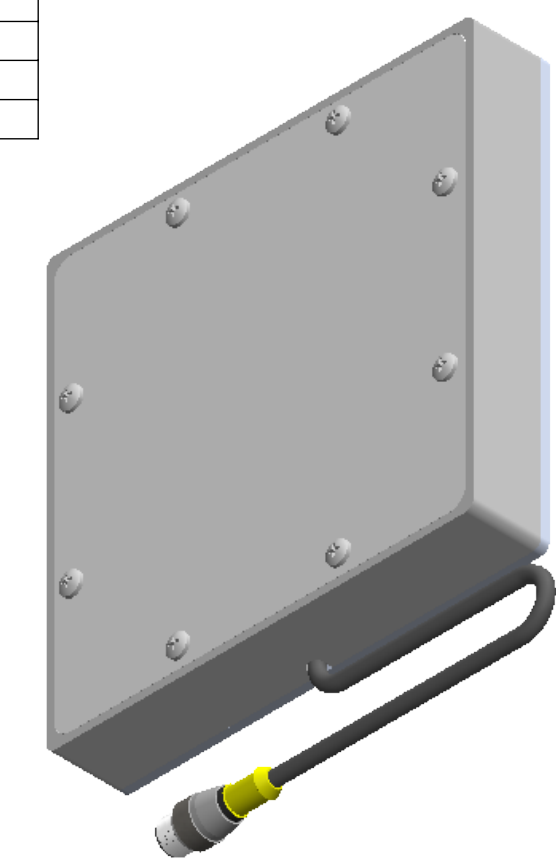
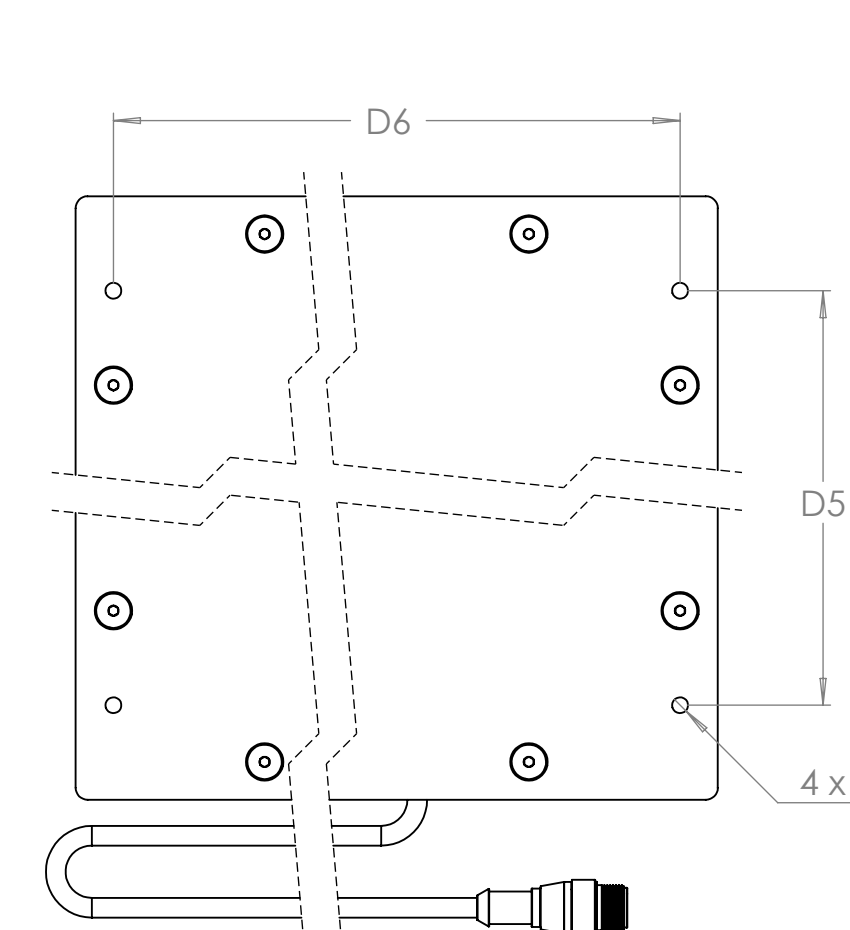
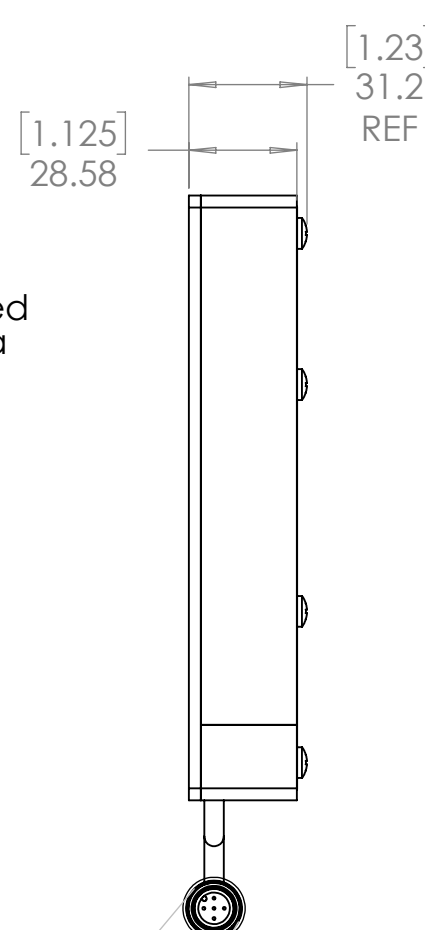
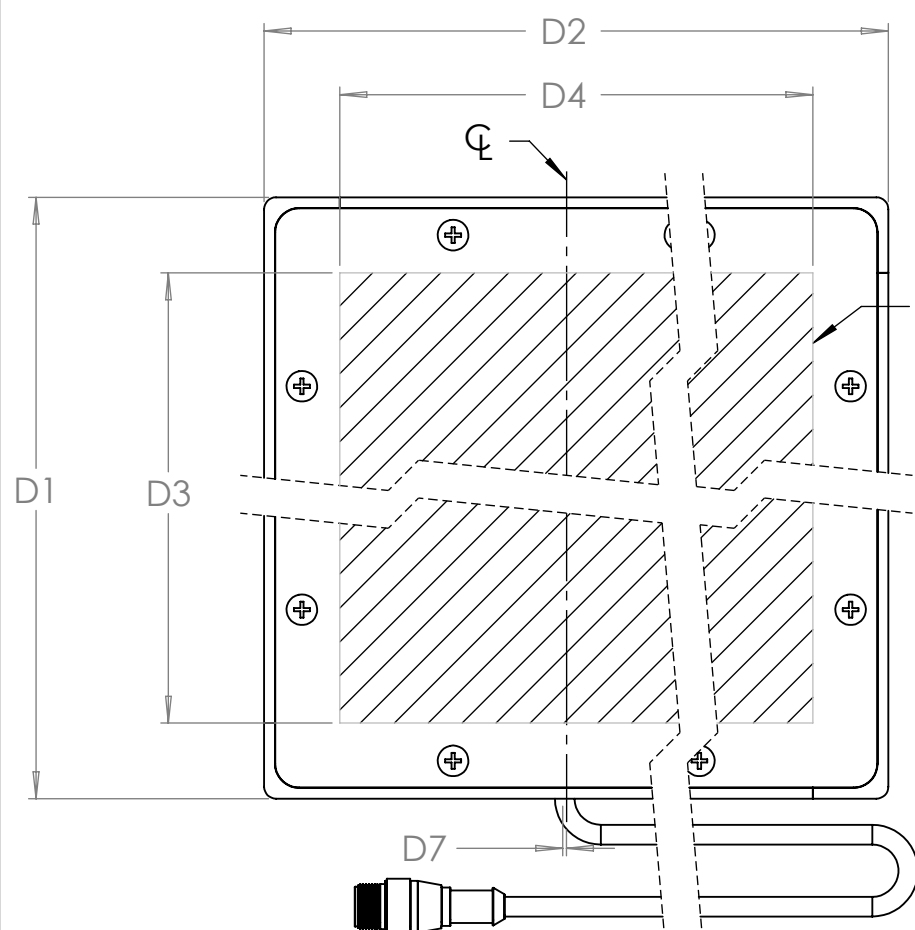
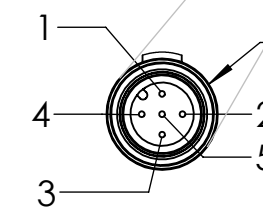


PART NUMBER	DESCRIPTION	D1	D2	D3	D4	D5	D6	D7
BL120120-RGBW	120mm x 120mm	160 [6.30]	160 [6.30]	120 [4.72]	120 [4.72]	110 [4.33]	140 [5.51]	1 [0.04]
BL120240-RGBW	120mm x 240mm	160 [6.30]	280 [11.02]	120 [4.72]	240 [9.45]	110 [4.33]	260 [10.24]	20 [0.79]
BL120360-RGBW	120mm x 360mm	160 [6.30]	400 [15.75]	120 [4.72]	360 [14.17]	110 [4.33]	380 [14.96]	1 [0.04]
BL120480-RGBW	120mm x 480mm	160 [6.30]	520 [20.47]	120 [4.72]	480 [18.90]	110 [4.33]	500 [19.69]	20 [0.79]
BL240240-RGBW	240mm x 240mm	280 [11.02]	280 [11.02]	240 [9.45]	240 [9.45]	230 [9.06]	260 [10.24]	20 [0.79]
BL240360-RGBW	240mm x 360mm	280 [11.02]	400 [15.75]	240 [9.45]	360 [14.17]	230 [9.06]	380 [14.96]	1 [0.04]
BL240480-RGBW	240mm x 480mm	280 [11.02]	520 [20.47]	240 [9.45]	480 [18.90]	230 [9.06]	500 [19.69]	20 [0.79]



[10-32 - ∇0.5"]
4 x M5x0.8 - ∇13mm



EUROFAST M12 5-PIN A-CODE MALE CONNECTOR	
PIN 1 - BROWN	/ +24VDC RTN = RED
PIN 2 - WHITE	/ +24VDC RTN = GREEN
PIN 3 - BLUE	/ +24VDC RTN = BLUE
PIN 4 - BLACK	/ +24VDC RTN = WHITE
PIN 5 - GREY or GRN/Y	/ +24VDC COMMON

PROPRIETARY AND CONFIDENTIAL
THE INFORMATION CONTAINED IN THIS DRAWING IS THE SOLE PROPERTY OF SPECTRUM ILLUMINATION. ANY REPRODUCTION IN PART OR AS A WHOLE WITHOUT THE WRITTEN PERMISSION OF SPECTRUM ILLUMINATION IS PROHIBITED.

UNLESS OTHERWISE SPECIFIED:		NAME	DATE
DIMENSIONS ARE IN mm [INCH]	DRAWN	DJH	02/04/26
TOLERANCES:	CHECKED	JV	02/04/26
ANGULAR: MACH ±	ENG APPR.		
ONE PLACE DECIMAL ±1.0	MFG APPR.		
TWO PLACE DECIMAL ±0.5	Q.A.		
THREE PLACE DECIMAL ±0.25	COMMENTS:		
INTERPRET GEOMETRIC TOLERANCING PER:			
MATERIAL			
FINISH			
DO NOT SCALE DRAWING			

SPECTRUM ILLUMINATION
110 W Washington Ave
Zeeland, MI 49464

Description:
Xmm x Xmm Backlight RGBW

SIZE	DWG. NO.	REV
B	BLXmmxXmm	A

SCALE: 1:2 WEIGHT: SHEET 1 OF 1