

4

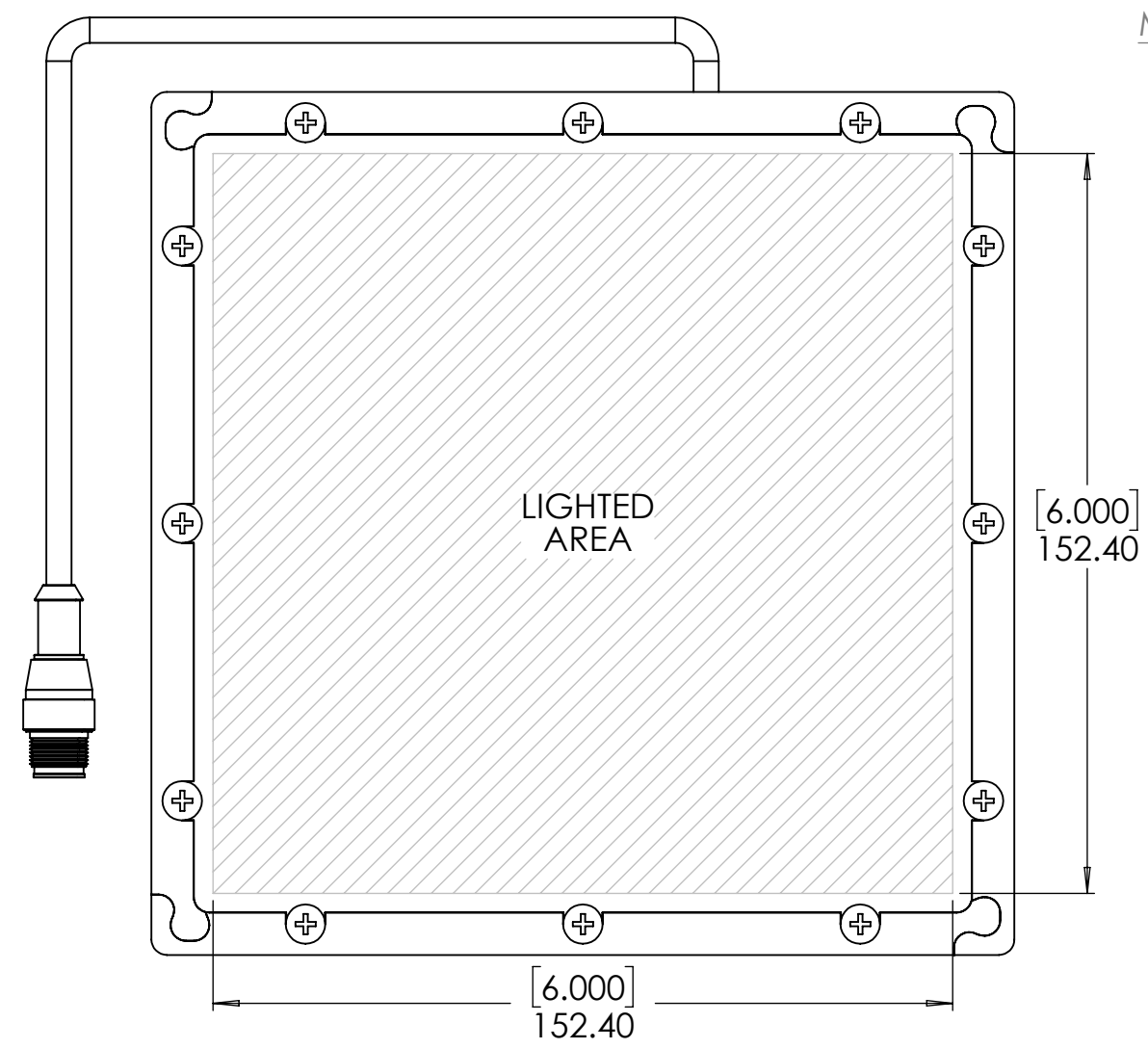
3

2

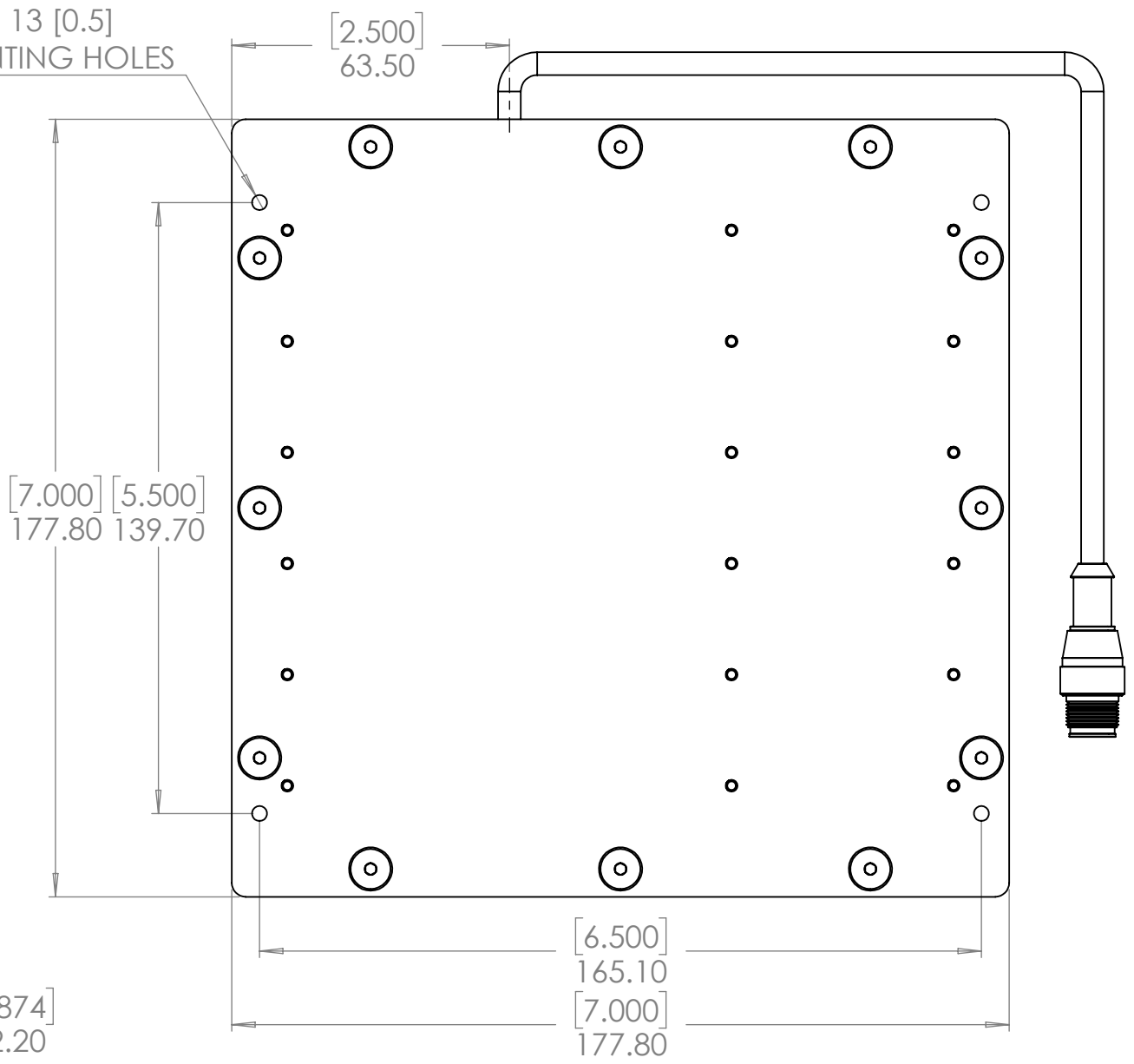
1

TOP VIEW

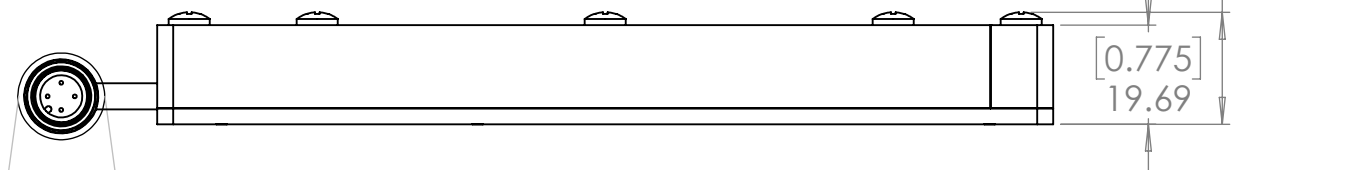
BOTTOM VIEW



4 x 8-32 UNC  
 ∇ 13 [0.5]  
 MOUNTING HOLES



SIDE VIEW



**STANDARD EUROFAST M12 4-PIN MALE CONNECTOR**

- PIN 1 - BROWN / +24VDC
- PIN 2 - WHITE / N/C
- PIN 3 - BLUE / +24VDC RTN
- PIN 4 - BLACK / STROBE-CONTINUOUS

**PROPRIETARY AND CONFIDENTIAL**

THE INFORMATION CONTAINED IN THIS DRAWING IS THE SOLE PROPERTY OF SPECTRUM ILLUMINATION INC. ANY REPRODUCTION IN PART OR AS A WHOLE WITHOUT THE WRITTEN PERMISSION OF SPECTRUM ILLUMINATION INC IS PROHIBITED.

| UNLESS OTHERWISE SPECIFIED:          |  | NAME      | DATE         |
|--------------------------------------|--|-----------|--------------|
| DIMENSIONS ARE IN mm [INCH]          |  | DRAWN     | DJH 04/29/22 |
| TOLERANCES:                          |  | CHECKED   | -            |
| ANGULAR: MACH ± BEND ±               |  | ENG APPR. |              |
| ONE PLACE DECIMAL ±1.0               |  | MFG APPR. |              |
| TWO PLACE DECIMAL ±0.5               |  | Q.A.      |              |
| THREE PLACE DECIMAL ±0.25            |  | COMMENTS: |              |
| INTERPRET GEOMETRIC TOLERANCING PER: |  |           |              |
| MATERIAL                             |  |           |              |
| FINISH                               |  |           |              |
| DO NOT SCALE DRAWING                 |  |           |              |

**SPECTRUM ILLUMINATION**  
 5114 INDUSTRIAL PARK RD.  
 MONTAGUE, MI 49437

Description:  
 6" x 6" Back Light

|                     |          |              |
|---------------------|----------|--------------|
| SIZE                | DWG. NO. | REV          |
| <b>B</b>            | BL66-XXX | <b>A</b>     |
| SCALE: 1:1.5WEIGHT: |          | SHEET 1 OF 1 |

4

3

2

1

B

B

A

A