

4

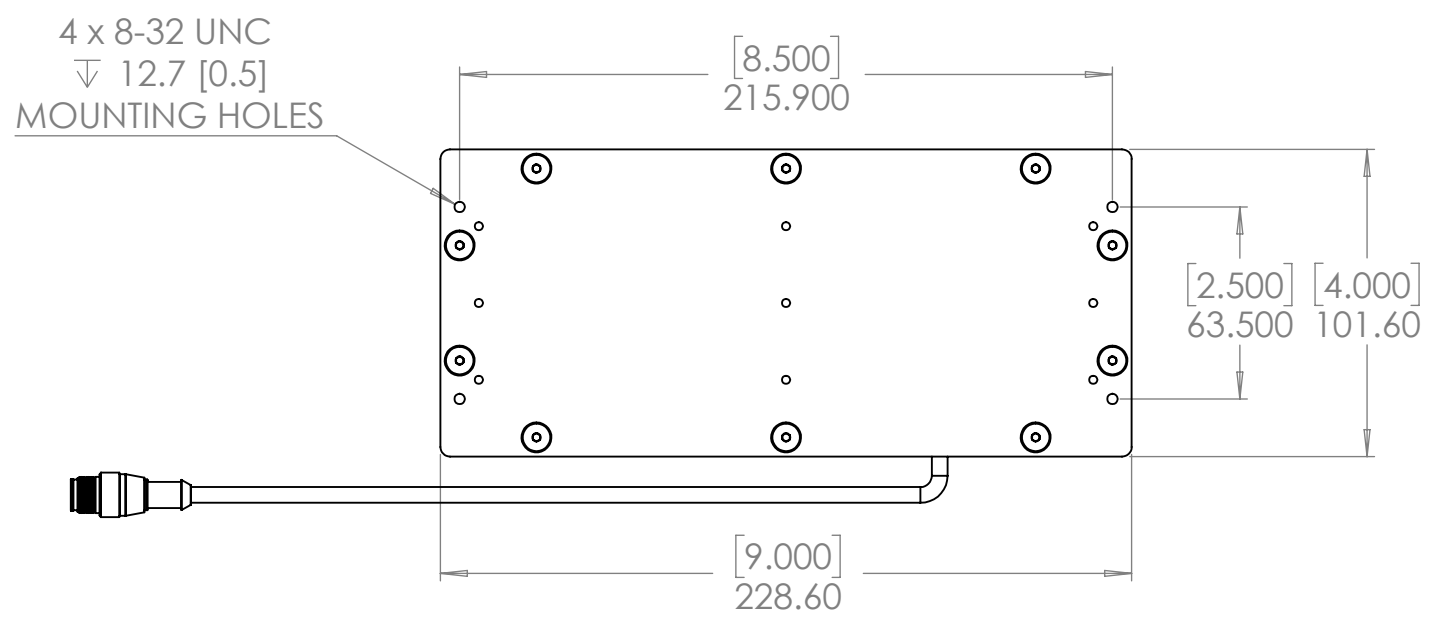
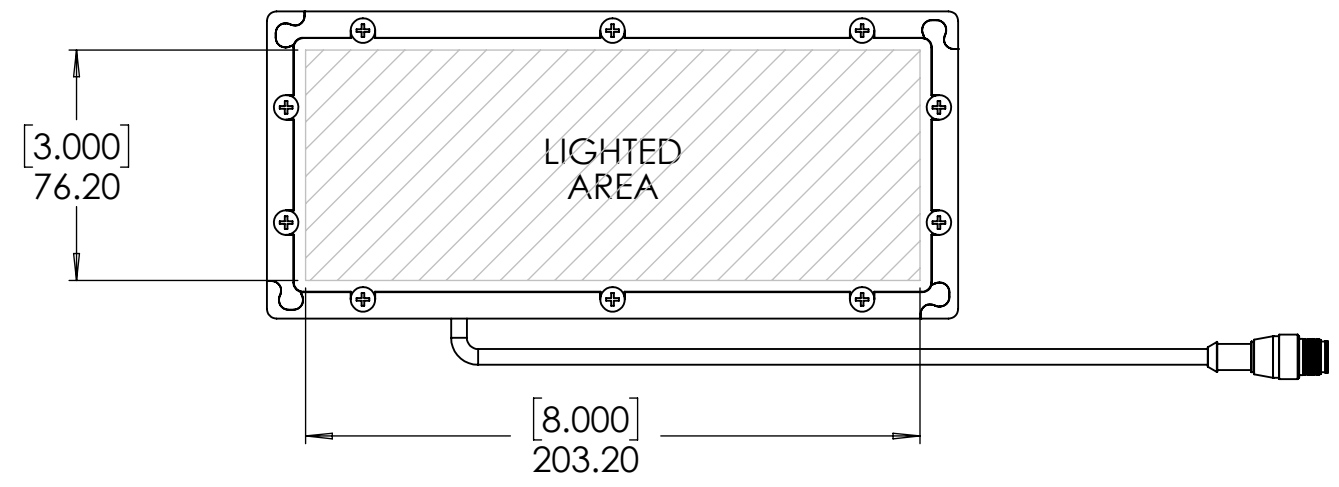
3

2

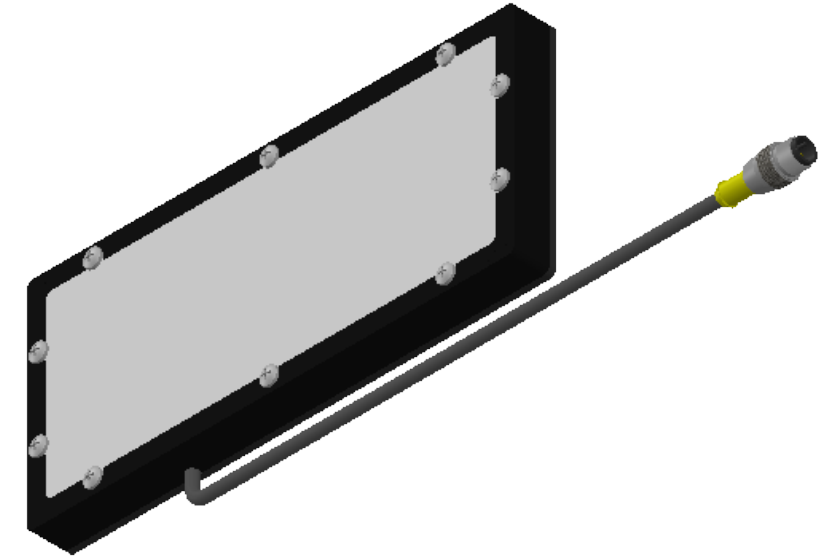
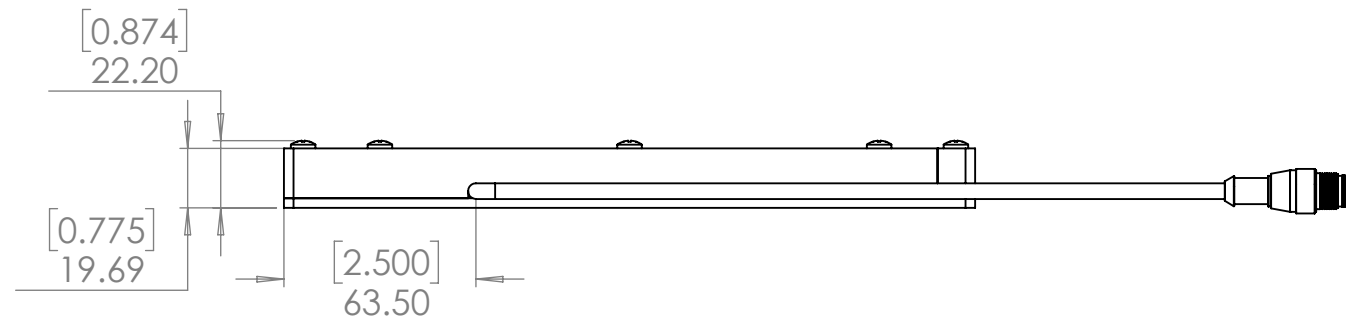
1

TOP VIEW

BOTTOM VIEW



SIDE VIEW



PROPRIETARY AND CONFIDENTIAL
THE INFORMATION CONTAINED IN THIS DRAWING IS THE SOLE PROPERTY OF SPECTRUM ILLUMINATION INC. ANY REPRODUCTION IN PART OR AS A WHOLE WITHOUT THE WRITTEN PERMISSION OF SPECTRUM ILLUMINATION INC IS PROHIBITED.

UNLESS OTHERWISE SPECIFIED:		NAME	DATE
DIMENSIONS ARE IN mm [INCH]	DRAWN	DJH	07/22/20
TOLERANCES:	CHECKED	-	-
ANGULAR: MACH ± BEND ±	ENG APPR.		
ONE PLACE DECIMAL ±1.0	MFG APPR.		
TWO PLACE DECIMAL ±0.5	Q.A.		
THREE PLACE DECIMAL ±0.25	COMMENTS:		
INTERPRET GEOMETRIC TOLERANCING PER:			
MATERIAL			
FINISH			
DO NOT SCALE DRAWING			

SPECTRUM ILLUMINATION
5114 INDUSTRIAL PARK RD.
MONTAGUE, MI 49437

Description:
BL38 Mount Specifications

SIZE	DWG. NO.	REV
B	BL38-XXX	A

SCALE: 1:2.5 WEIGHT: SHEET 1 OF 1

4

3

2

1

B

B

A

A