

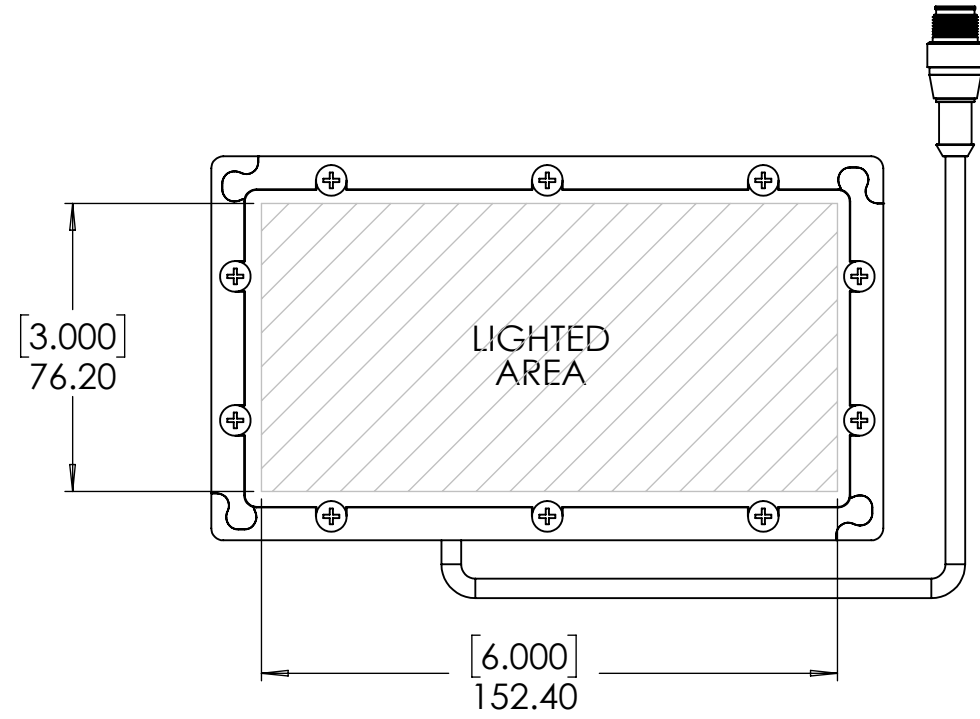
4

3

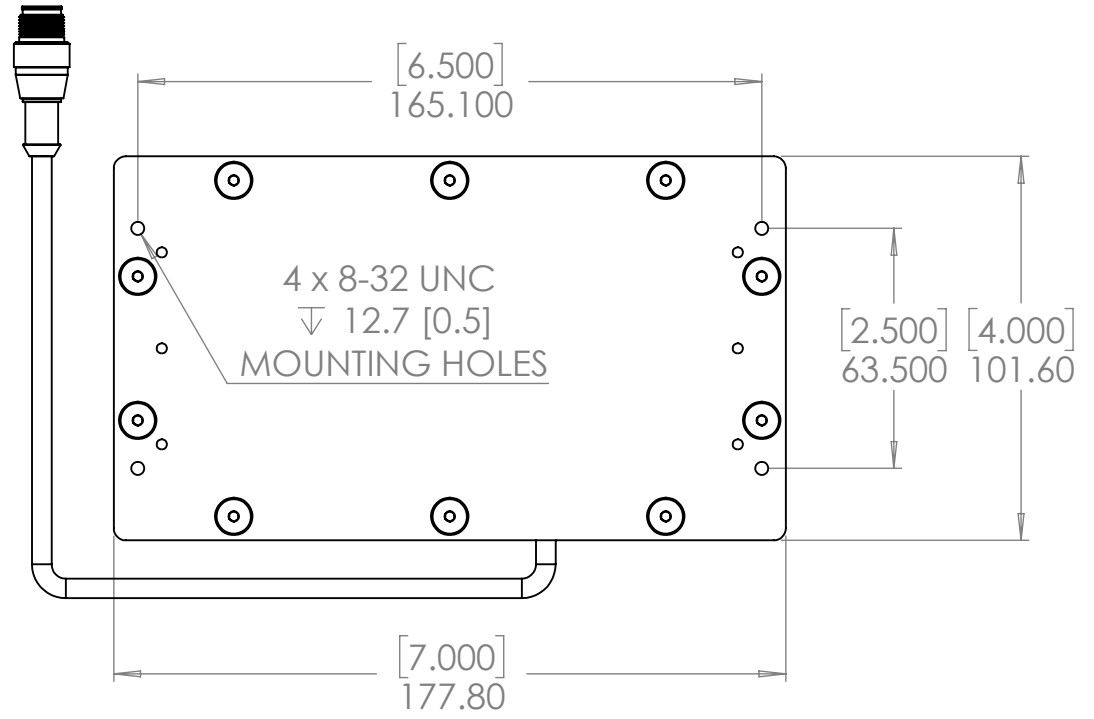
2

1

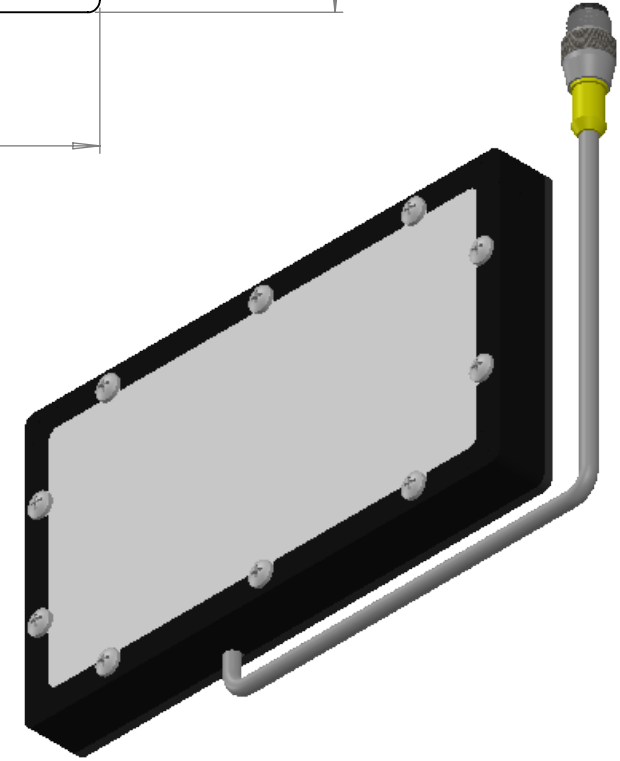
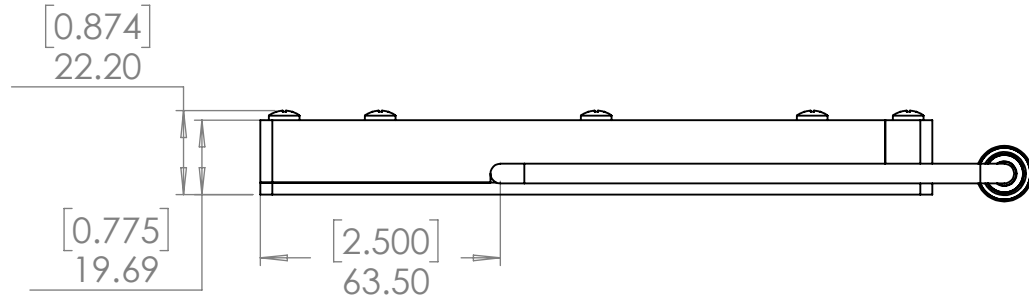
TOP VIEW



BOTTOM VIEW



SIDE VIEW



B

B

A

A

4

3

2

1

PROPRIETARY AND CONFIDENTIAL
 THE INFORMATION CONTAINED IN THIS DRAWING IS THE SOLE PROPERTY OF SPECTRUM ILLUMINATION INC. ANY REPRODUCTION IN PART OR AS A WHOLE WITHOUT THE WRITTEN PERMISSION OF SPECTRUM ILLUMINATION INC IS PROHIBITED.

UNLESS OTHERWISE SPECIFIED:		NAME	DATE
DIMENSIONS ARE IN mm [INCH]	DRAWN	DJH	07/22/20
TOLERANCES:	CHECKED	-	-
ANGULAR: MACH ± BEND ±	ENG APPR.		
ONE PLACE DECIMAL ±1.0	MFG APPR.		
TWO PLACE DECIMAL ±0.5	Q.A.		
THREE PLACE DECIMAL ±0.25	COMMENTS:		
INTERPRET GEOMETRIC TOLERANCING PER:			
MATERIAL			
FINISH			
DO NOT SCALE DRAWING			

SPECTRUM ILLUMINATION
 5114 INDUSTRIAL PARK RD.
 MONTAGUE, MI 49437

Description:
BL36 Mount Specifications

SIZE	DWG. NO.	REV
B	BL36-XXX	A

SCALE: 1:2 WEIGHT: SHEET 1 OF 1