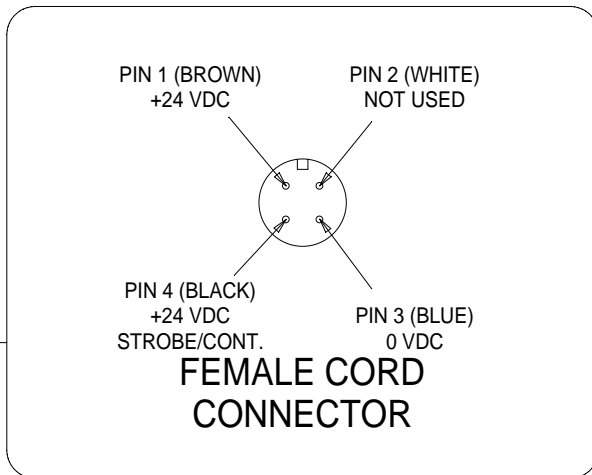
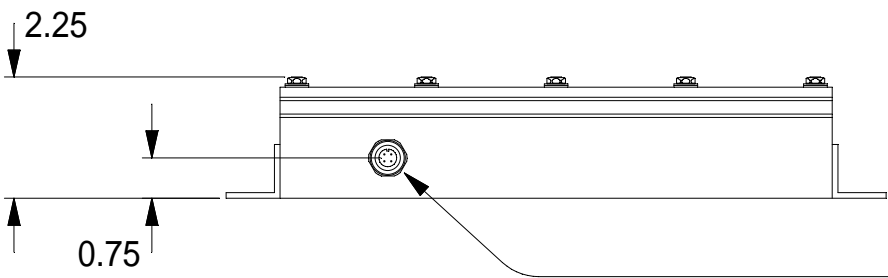


HOUSING AND FASTENERS ARE 316 STAINLESS STEEL.

RUBBER SEALS ARE FDA COMPLIANT RUBBER.



WBL48 MOUNT SPECIFICATIONS