

4

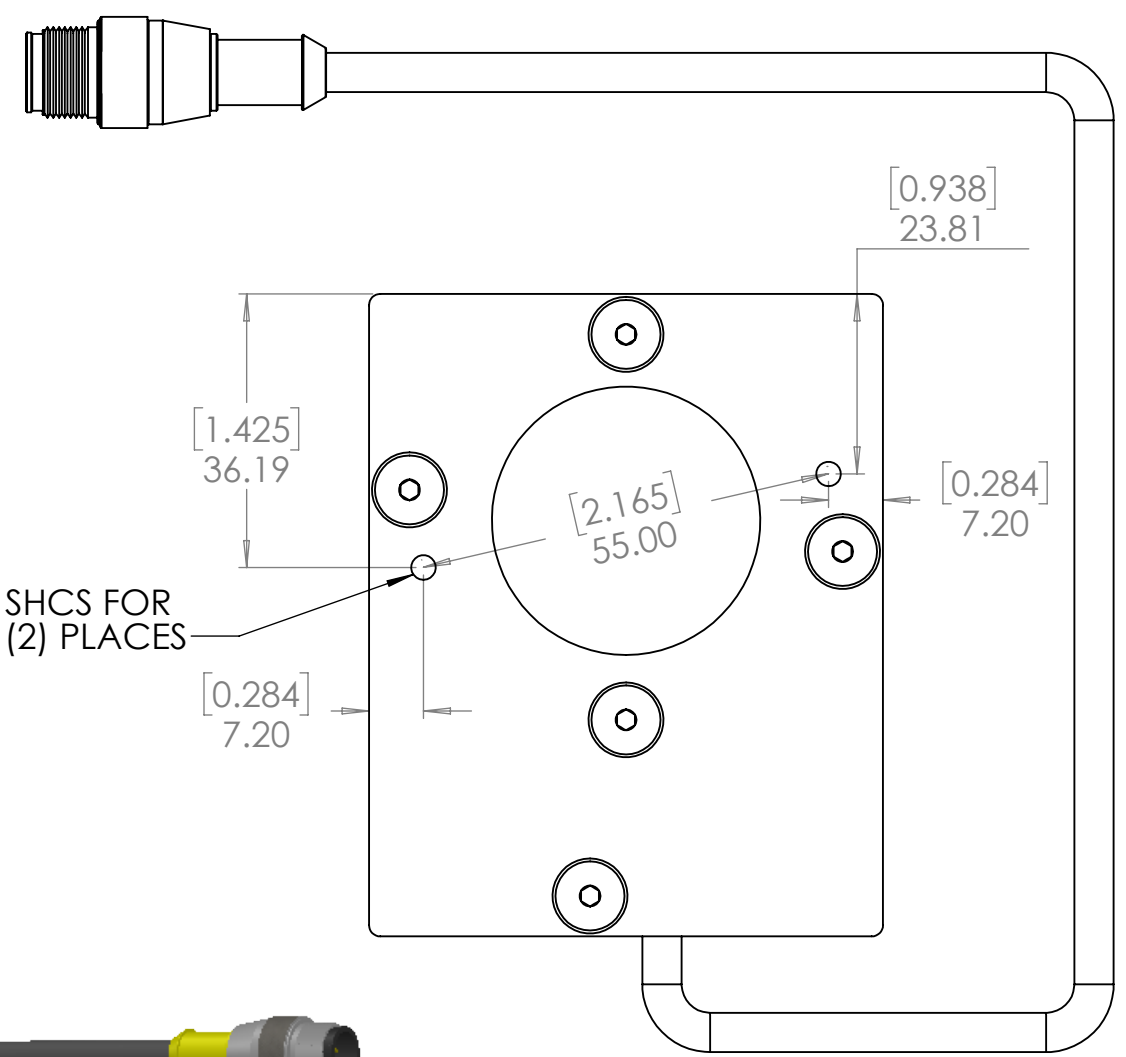
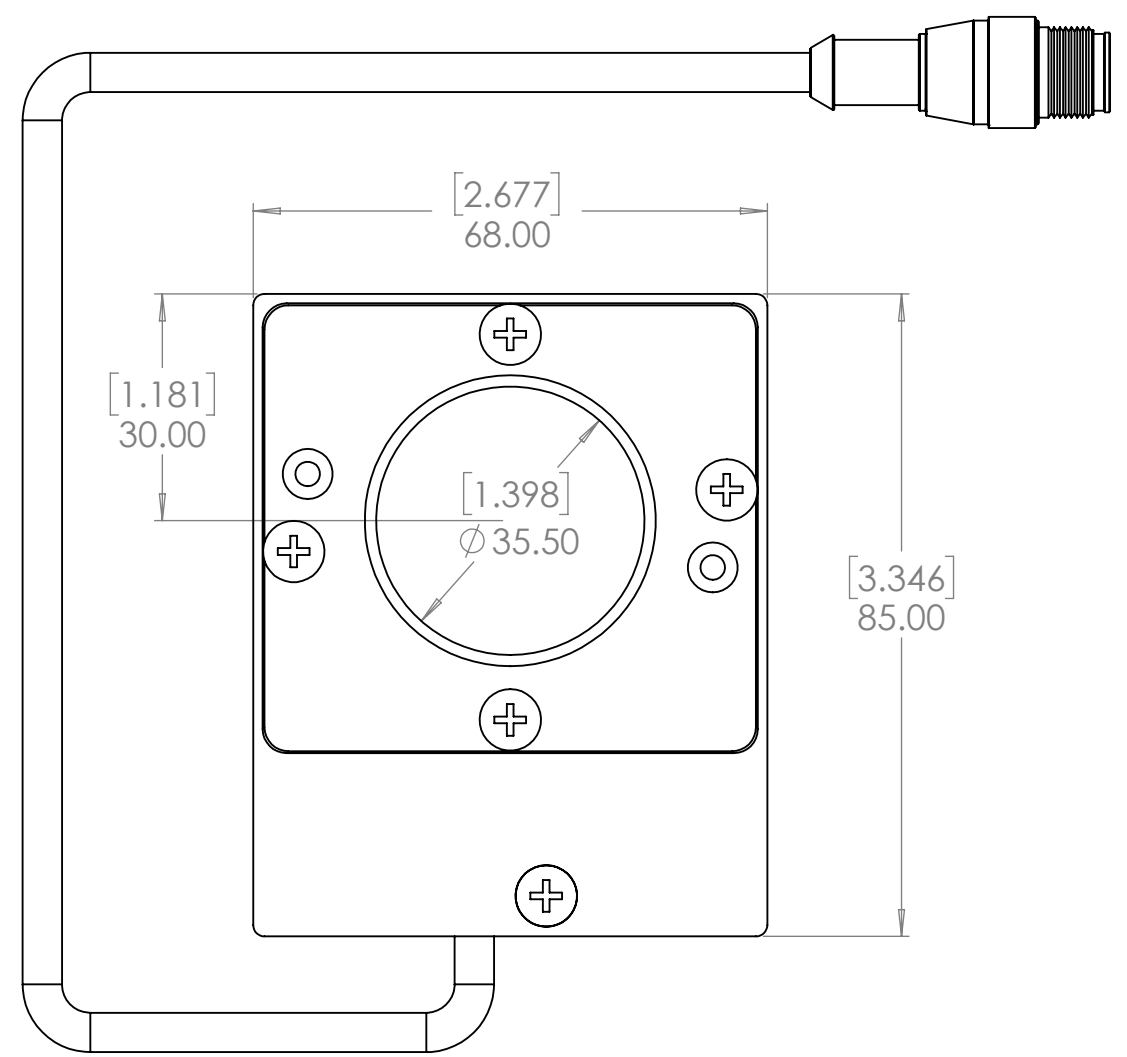
3

2

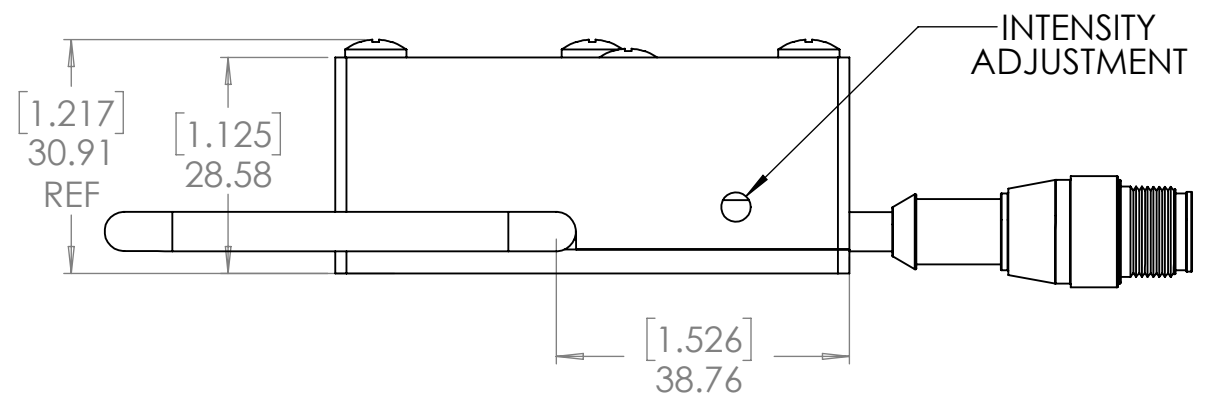
1

B

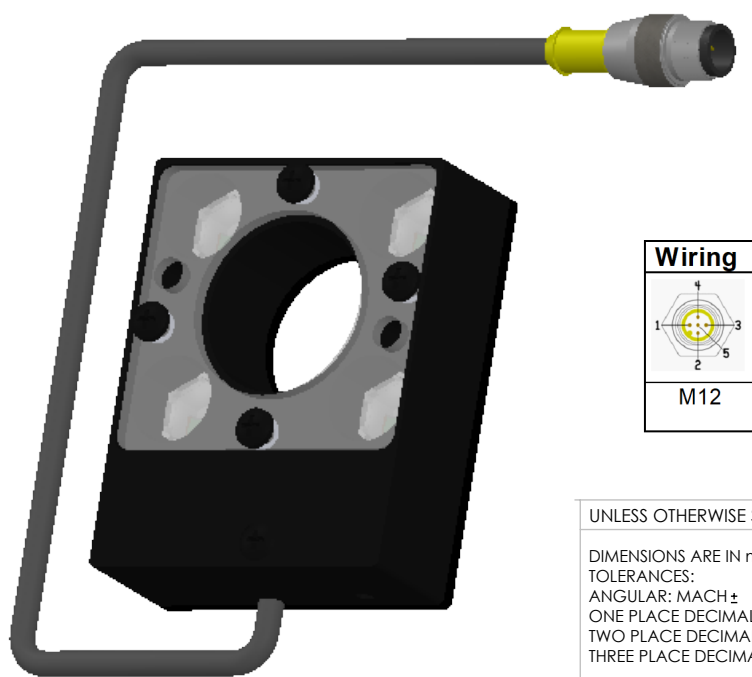
B



M3 X 6MM SHCS FOR MOUNTING (2) PLACES



INTENSITY ADJUSTMENT



Wiring	Pin #	Wire Color	Function
	1	Brown	+24 VDC +/- 10%
	2	White	NPN Strobe Input: GND for "ON", Open or >Vin-1V for "OFF"
	3	Blue	0VDC (DC GND)
	4	Black	PNP Strobe Input: < 1 VDC for "OFF", >3 ≤30 VDC for "ON"
M12	5	Grey or Green/Yellow	0-10VDC analog intensity control – 0V = 100%, 10V = 0%

UNLESS OTHERWISE SPECIFIED:		NAME	DATE
DIMENSIONS ARE IN mm [INCH]	DRAWN	DJH	11/25/20
TOLERANCES:	CHECKED	-	-
ANGULAR: MACH ± BEND ±	ENG APPR.		
ONE PLACE DECIMAL ±1.0	MFG APPR.		
TWO PLACE DECIMAL ±0.5	Q.A.		
THREE PLACE DECIMAL ±0.25	COMMENTS:		
INTERPRET GEOMETRIC TOLERANCING PER:			
MATERIAL			
FINISH			
DO NOT SCALE DRAWING			

PROPRIETARY AND CONFIDENTIAL
 THE INFORMATION CONTAINED IN THIS DRAWING IS THE SOLE PROPERTY OF SPECTRUM ILLUMINATION INC. ANY REPRODUCTION IN PART OR AS A WHOLE WITHOUT THE WRITTEN PERMISSION OF SPECTRUM ILLUMINATION INC IS PROHIBITED.

SPECTRUM ILLUMINATION
 5114 INDUSTRIAL PARK RD.
 MONTAGUE, MI 49437

Description:
 3" Ring Light with Internal Driver

SIZE	DWG. NO.	REV
B	RLD3-XXX	A

SCALE: 1:1 WEIGHT: SHEET 1 OF 1

4

3

2

1

A

A