

4

3

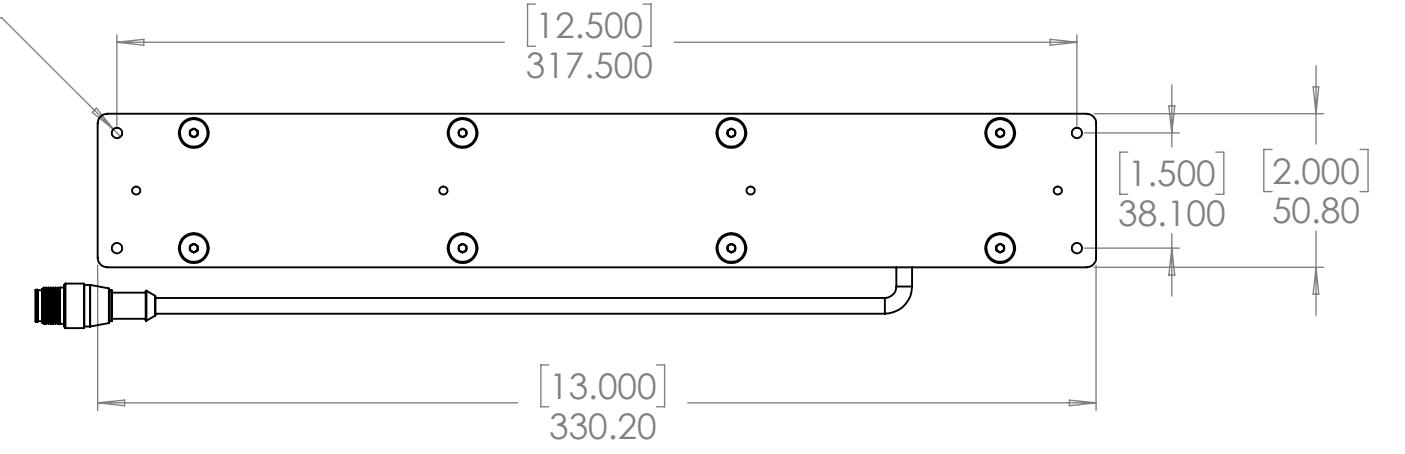
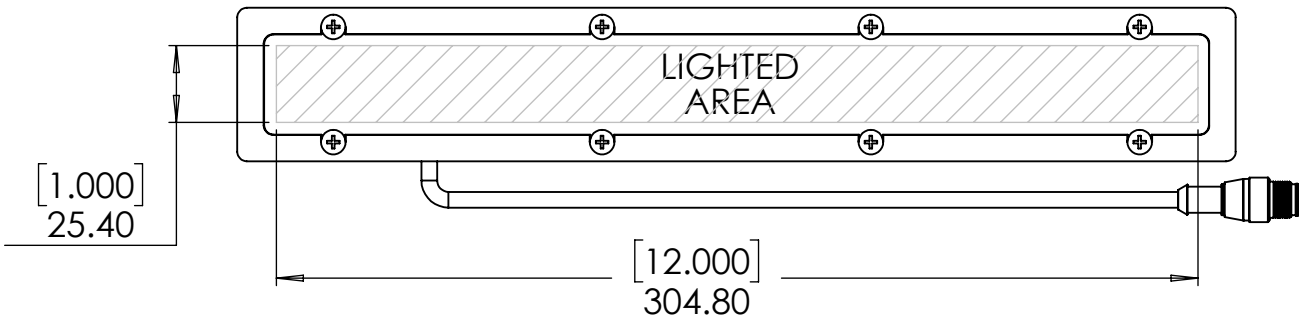
2

1

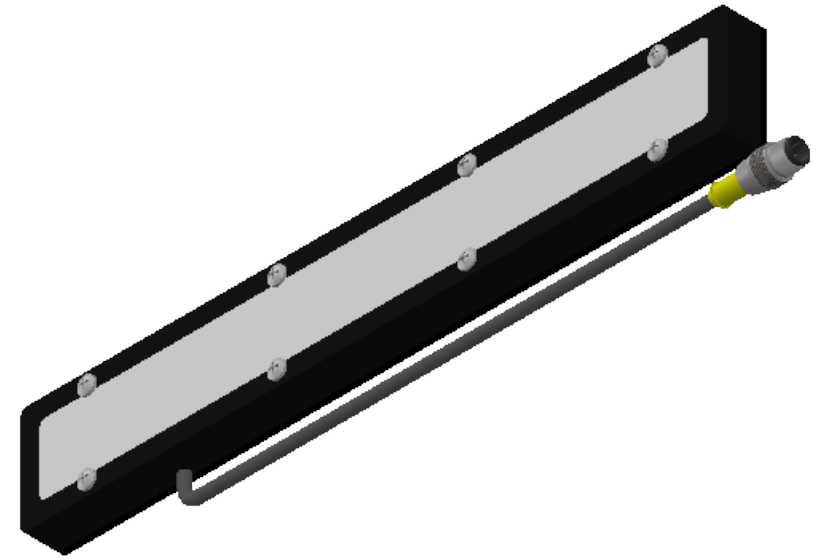
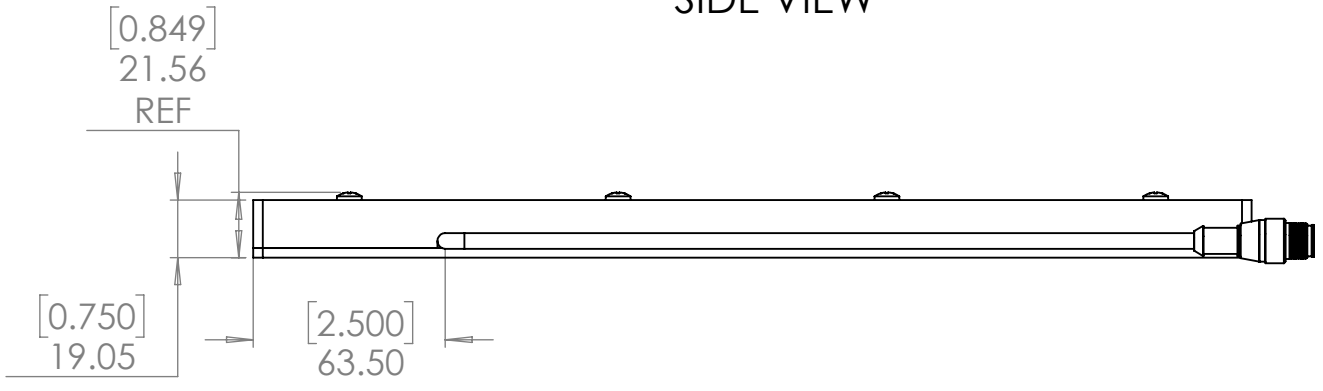
TOP VIEW

BOTTOM VIEW

4 x 8-32 UNC  
▽ 12.7 [0.5]  
MOUNTING HOLES



SIDE VIEW



**PROPRIETARY AND CONFIDENTIAL**  
 THE INFORMATION CONTAINED IN THIS DRAWING IS THE SOLE PROPERTY OF SPECTRUM ILLUMINATION INC. ANY REPRODUCTION IN PART OR AS A WHOLE WITHOUT THE WRITTEN PERMISSION OF SPECTRUM ILLUMINATION INC IS PROHIBITED.

|                                      |           |      |          |
|--------------------------------------|-----------|------|----------|
| UNLESS OTHERWISE SPECIFIED:          |           | NAME | DATE     |
| DIMENSIONS ARE IN mm [INCH]          | DRAWN     | DJH  | 07/22/20 |
| TOLERANCES:                          | CHECKED   | -    | -        |
| ANGULAR: MACH ± BEND ±               | ENG APPR. |      |          |
| ONE PLACE DECIMAL ±1.0               | MFG APPR. |      |          |
| TWO PLACE DECIMAL ±0.5               | Q.A.      |      |          |
| THREE PLACE DECIMAL ±0.25            | COMMENTS: |      |          |
| INTERPRET GEOMETRIC TOLERANCING PER: |           |      |          |
| MATERIAL                             |           |      |          |
| FINISH                               |           |      |          |
| DO NOT SCALE DRAWING                 |           |      |          |

**SPECTRUM ILLUMINATION**  
 5114 INDUSTRIAL PARK RD.  
 MONTAGUE, MI 49437

Description:  
 BL112 Mounting Specification

|          |           |          |
|----------|-----------|----------|
| SIZE     | DWG. NO.  | REV      |
| <b>B</b> | BL112-XXX | <b>A</b> |

SCALE: 1:2.5 WEIGHT: SHEET 1 OF 1

4

3

2

1

B

B

A

A