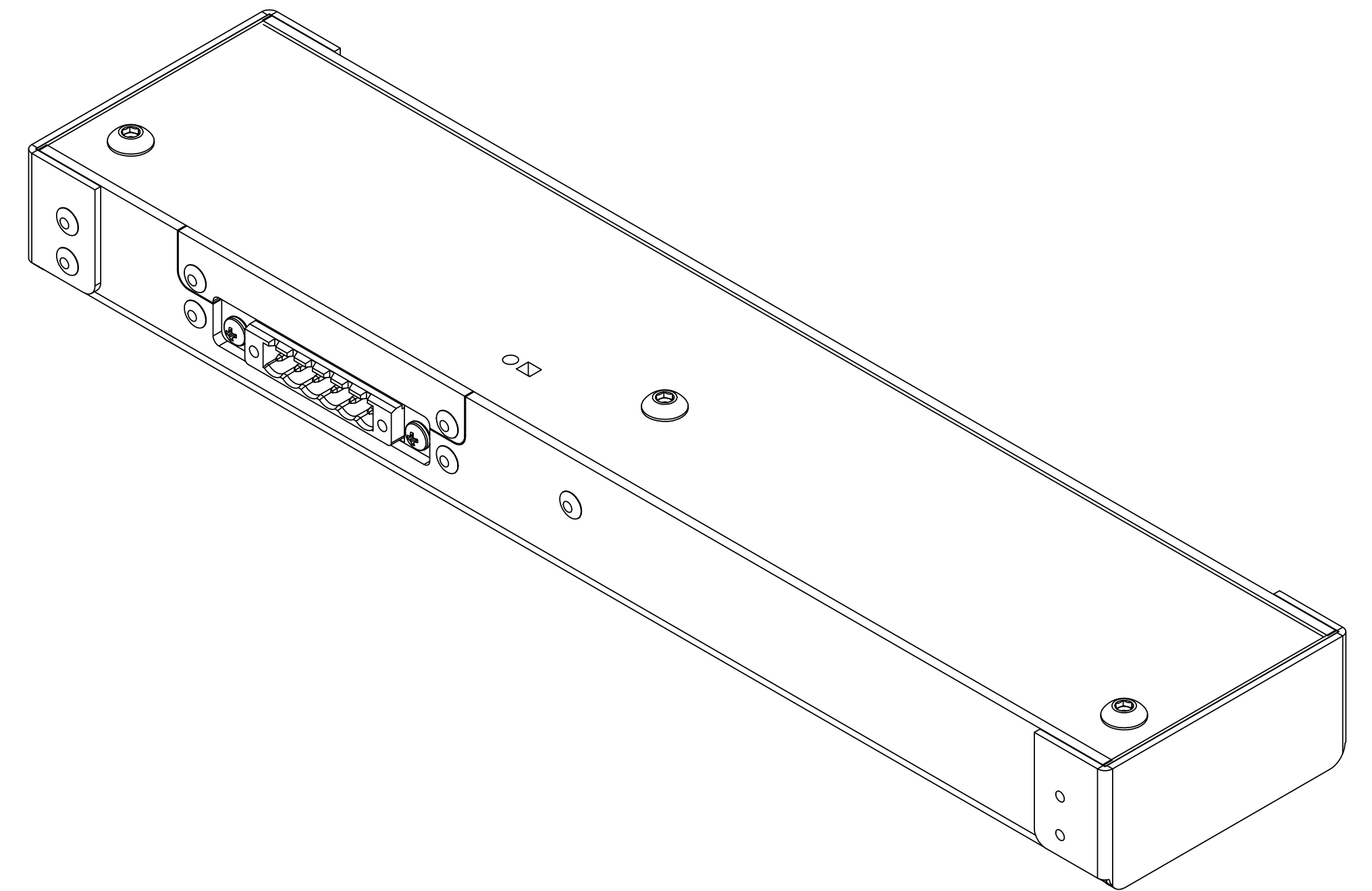
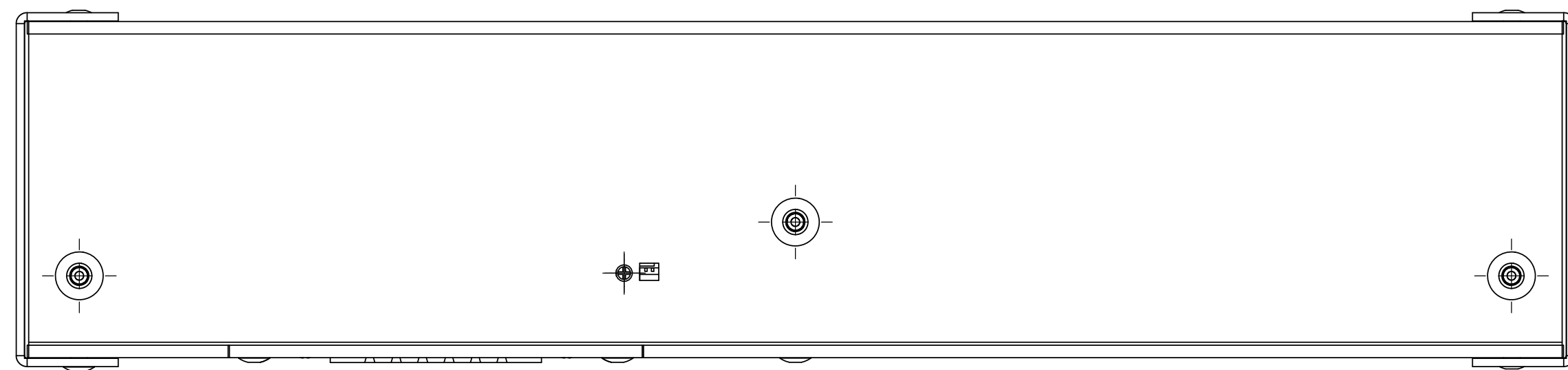
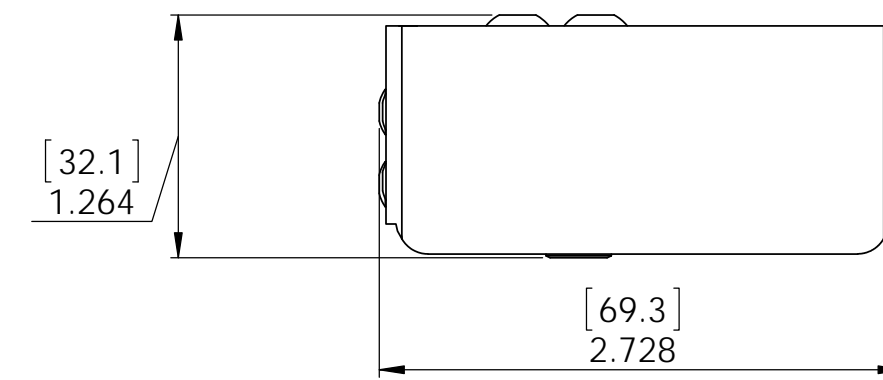
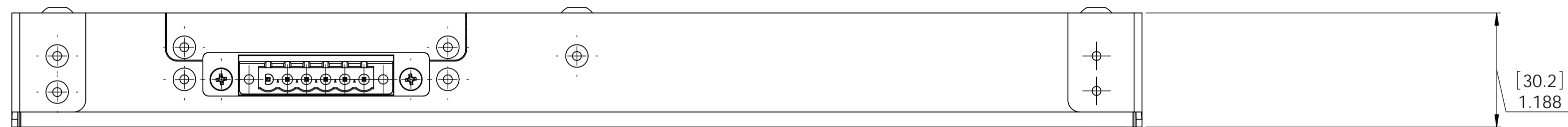


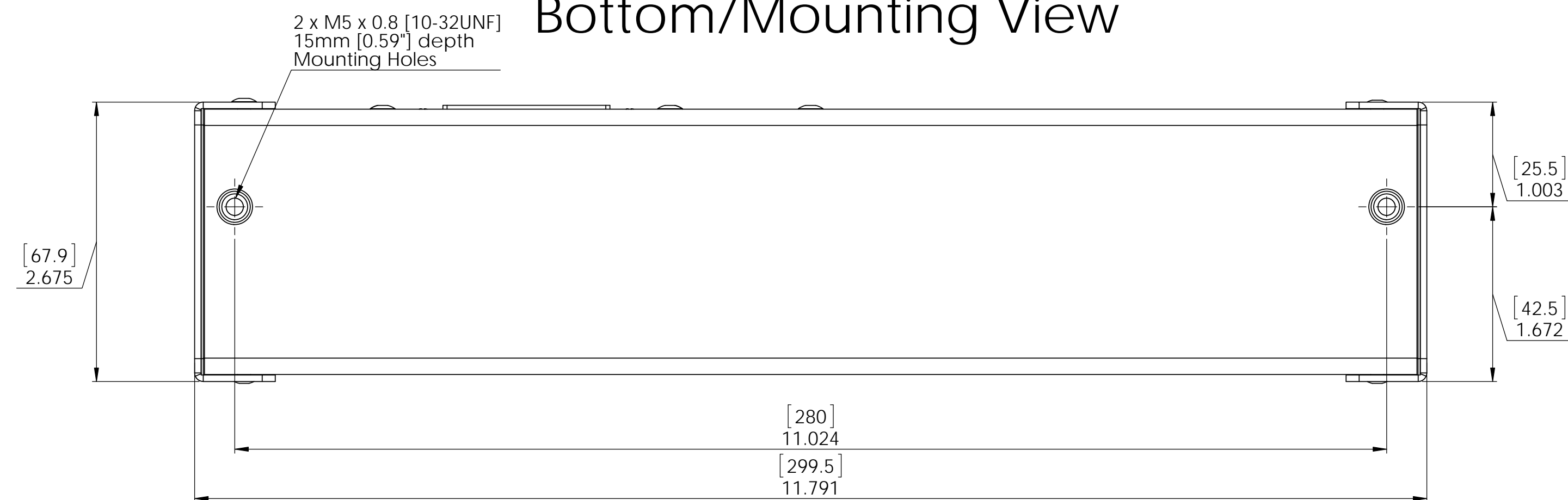
Top View



Side View



Bottom/Mounting View



PROPRIETARY AND CONFIDENTIAL
THE INFORMATION CONTAINED IN THIS
DRAWING IS THE SOLE PROPERTY OF
SPECTRUM ILLUMINATION. ANY
REPRODUCTION IN PART OR AS A WHOLE
WITHOUT THE WRITTEN PERMISSION OF
SPECTRUM ILLUMINATION IS PROHIBITED.

UNLESS OTHERWISE SPECIFIED:		NAME	DATE
DIMENSIONS ARE IN INCHES	TOLERANCES:	DRAWN	D.J.H.
FRACTIONAL ±	ANGULAR MATCH ±	CHECKED	
TWO PLACE DECIMAL ±	BEND ±	ENG APPR.	
THREE PLACE DECIMAL ±		MFG APPR.	
INTERPRET GEOMETRIC TOLERANCING PER:		C.A.	
MATERIAL:		COMMENTS:	
NEXT ASSY	USED ON	FINISH	
APPLICATION			

Spectrum Illumination
5114 Industrial Park Road
Montague, MI 49437

SIZE DWG. NO. REV
D XL300 Complete **A**
SCALE: 1:1 WEIGHT: SHEET 1 OF 1

D-300 Complete (Rev. 10/18)