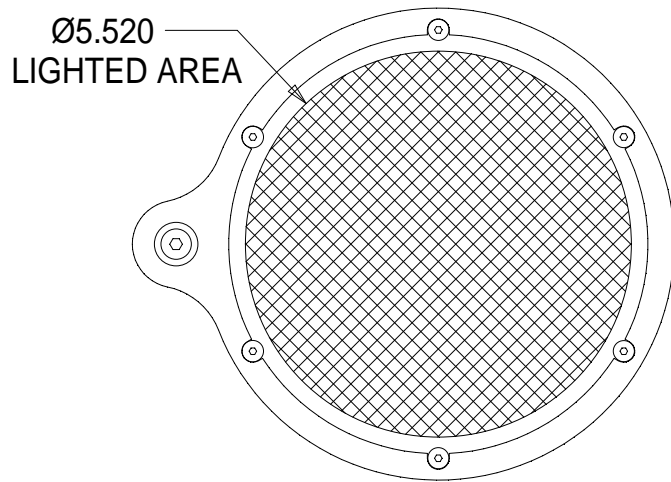
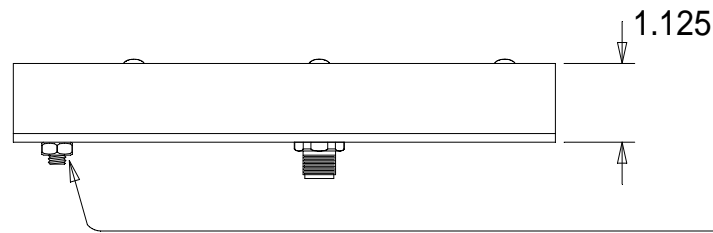
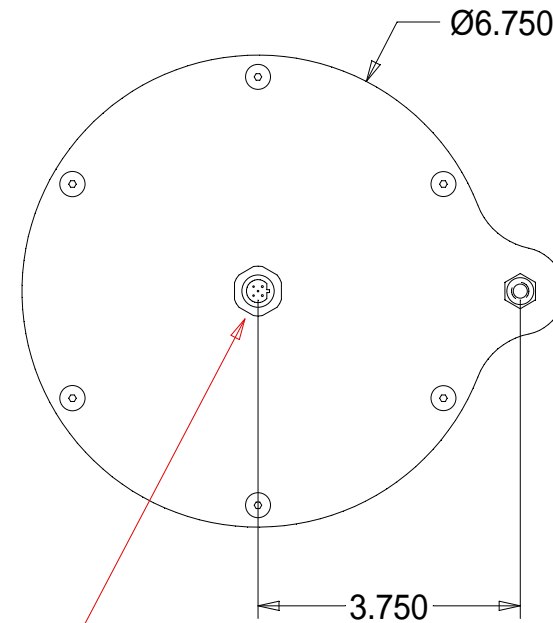


## FRONT VIEW



## BACK VIEW



## SIDE VIEW

1/4-20 STUD  
FOR MOUNTING  
NUT INCLUDED

5-PIN REVERSE KEYED  
EUROFAST CONNECTOR

### WARNING!!!

DO NOT CONNECT LIGHT  
TO 24VDC. USE ONLY  
SPECTRUM ILLUMINATION  
LED DRIVER MODULE (LDM).  
FAILURE TO DO SO WILL  
RESULT IN PREMATURE  
LED BURNOUT AND WILL  
VOID THE WARRANTY.

# SP5.5 SPOT MOUNT SPECIFICATIONS