

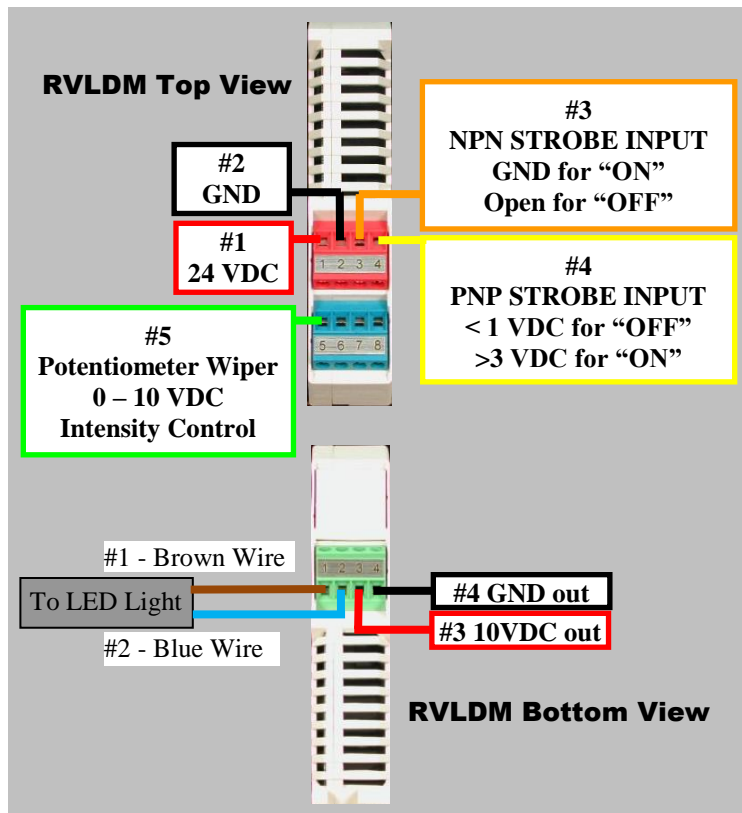


## RVLDM700 Series DRIVER

- Remote Variable Intensity Control - ~10% to 100%
- Current Regulating
- 24VDC
- DIN Rail Mount
- PNP/NPN Strobe or Continuous Mode

**ELECTRICAL:**

Input Voltage: 24 VDC -0.5 / +4V  
 Input Current: 1.0 Amp Max  
 Connection: Screw terminals



**RVLDM700 is compatible with the following lights:**

LL111.5, LL26 – All Colors  
 RL3.5, RL5.5, RL8.5 – All Colors  
 DL7.25 – All Colors  
 MLL22 – All Colors

**NOTE:**

Jumper 24VDC to PNP Strobe Input or  
 GND to NPN Strobe input for light to  
 remain in constant “ON” state.

Strobe is Pulse Width Duration – Light will  
 remain “on” for duration of signal or pulse.

**Note:** Black, White and Green wires are not used  
 on RVLDM700 Driver

**Warning!!!**

**USE ONLY SPECTRUM ILLUMINATION LDM DRIVER WITH MONSTER LIGHTS.  
 DO NOT CONNECT MONSTER LIGHTS DIRECTLY TO 24VDC!**

# Wiring Block Diagram

