



## RVLDM350/1 Series DRIVER

- Remote Variable Intensity Control - ~10% to 100%
- Current Regulating
- 24VDC
- DIN Rail Mount
- PNP/NPN Strobe or Continuous Mode

**ELECTRICAL:**

Input Voltage: 24 VDC -0.5 / +4V  
 Input Current: 0.5 Amp Max  
 Connection: Screw terminals



**RVLDM350/1 is compatible with the following lights:**

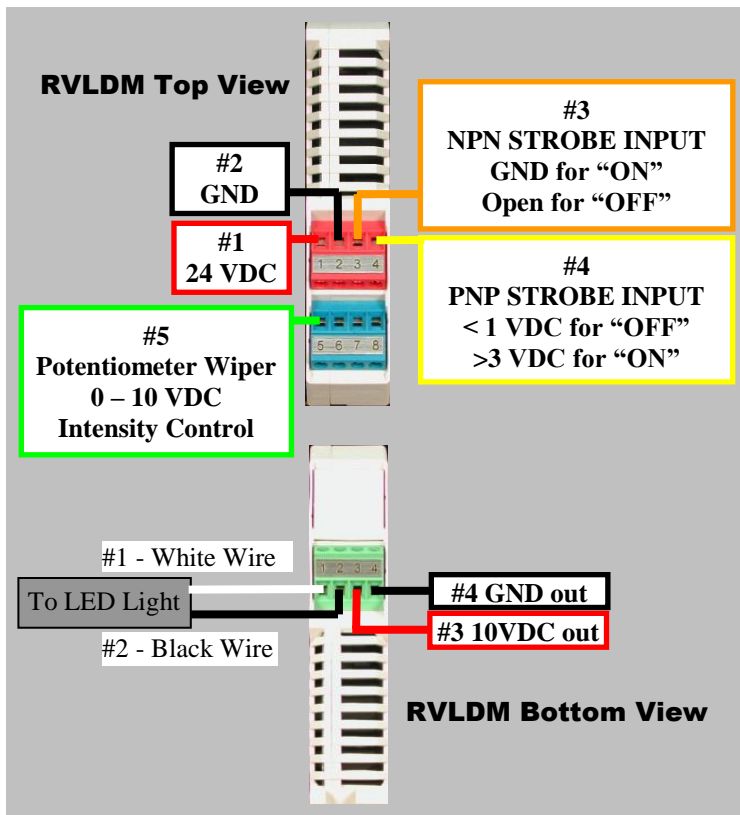
SP1.25 – All Colors

**NOTE:**

Jumper 24VDC to PNP Strobe Input or GND to NPN Strobe input for light to remain in constant "ON" state.

Strobe is Pulse Width Duration – Light will remain "on" for duration of signal or pulse.

**Note:** Brown, Blue and Green wires are not used on RVLDM350/1 Driver



**Warning!!!**

**USE ONLY SPECTRUM ILLUMINATION LDM DRIVER WITH MONSTER LIGHTS.  
DO NOT CONNECT MONSTER LIGHTS DIRECTLY TO 24VDC!**

# Wiring Block Diagram

