



RVLDM1050 Series DRIVER

- Remote Variable Intensity Control - ~10% to 100%
- Current Regulating
- 24VDC
- DIN Rail Mount
- PNP/NPN Strobe or Continuous Mode

ELECTRICAL:

Input Voltage: 24 VDC -0.5 / +4V
 Input Current: 1.2 Amp Max
 Connection: Screw terminals



RVLDM1050 is compatible with the following lights:

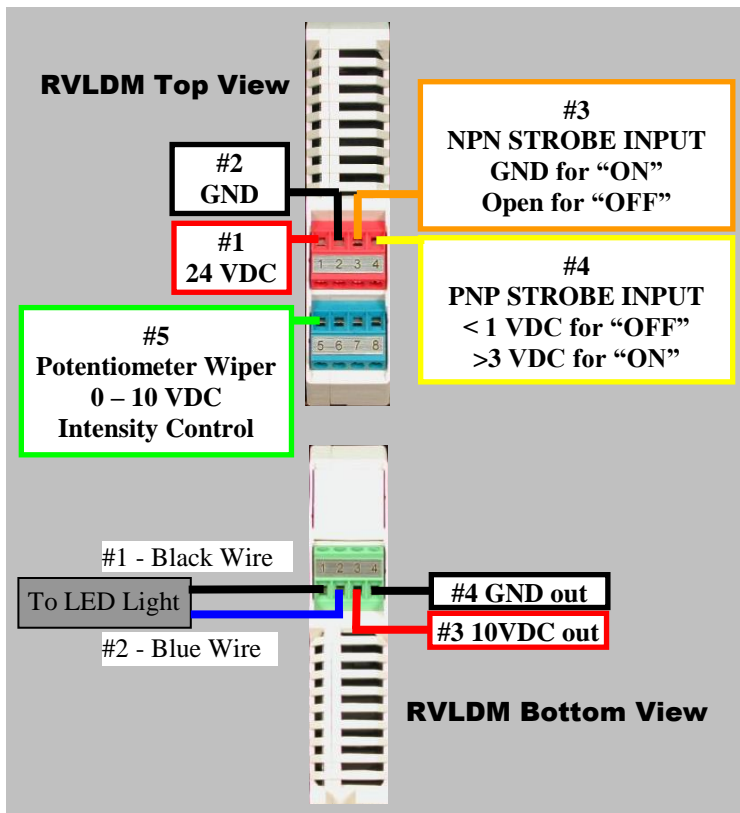
SP5.5 – All Colors
 LL117.25 – All Colors

NOTE:

Jumper 24VDC to PNP Strobe Input or
 GND to NPN Strobe input for light to
 remain in constant “ON” state.

Strobe is Pulse Width Duration – Light will
 remain “on” for duration of signal or pulse.

Note: White, Brown and Green wires are not used
 on RVLDM1050 Driver



Warning!!!

**USE ONLY SPECTRUM ILLUMINATION LDM DRIVER WITH MONSTER LIGHTS.
 DO NOT CONNECT MONSTER LIGHTS DIRECTLY TO 24VDC!**

Wiring Block Diagram

