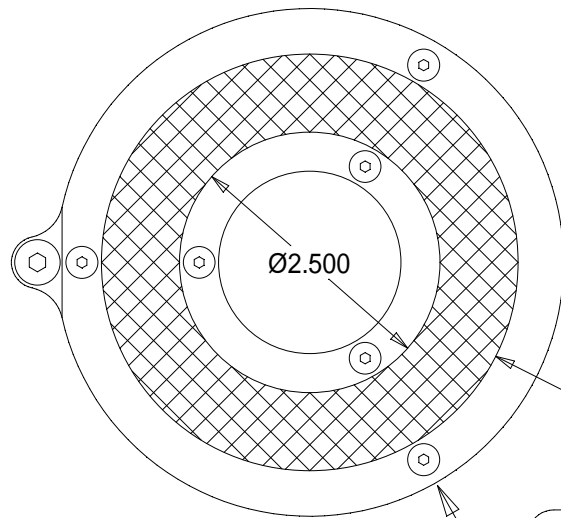
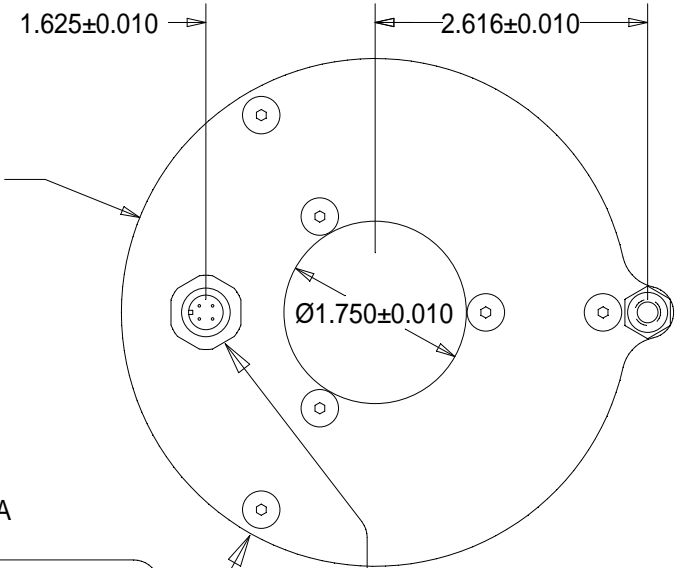


## TOP VIEW



## BOTTOM VIEW



Ø4.875±0.010

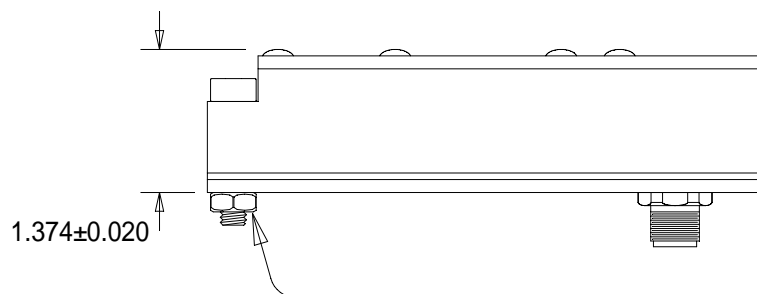
Ø2.500

Ø1.750±0.010

Ø4.000  
LIGHTED AREA

THE FRONT PLATES AND  
BACK PLATE ARE 316 SS

## SIDE VIEW

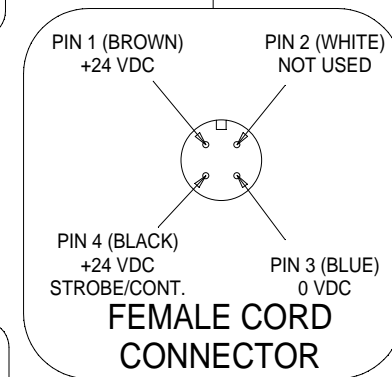


1.312±0.020

1.374±0.020

WHITE DELRIN  
HOUSING

316 SS 1/4-20  
STUD AND NUT  
FOR MOUNTING



# WRL4 MOUNT SPECIFICATIONS