

# TRIPOD LIGHT

## TP1 Series with Internal Driver



### ELECTRICAL:

Input Voltage: 12-30VDC  
 Input Current: 80 to 110mA typical (300mA max for burst) @24VDC per module  
 Strobe Input Impedance: 13.7K $\Omega$  – PNP input typical per module, 9.2K $\Omega$  – NPN input typical  
 Strobe Timing: <20 microseconds from strobe to LED on  
 0-10V Input Impedance: 18K $\Omega$  typical per module  
 0-10V Input Control: 0V = 100%, 10V = 0% LED current. (Can be left disconnected for 100% LED current)  
 Variable Intensity: Adjustable via 5 turn trim potentiometer from 0% (CCW) to 100% (CW).  
 LED Error Output: NPN (pull down) on error, 1.2K $\Omega$  impedance  
 Wiring:

Pin #	Function
1	Error out – LED open/shorted
2	0-10VDC analog intensity control – 0V = 100%, 10V = 0%
3	PNP STROBE INPUT: < 1 VDC for "OFF" >3 $\leq$ 30 VDC for "ON"
4	NPN STROBE INPUT: GND for "ON" Open for "OFF"
5	0VDC (DC GND)
6	+12 to +30VDC

### ENVIRONMENTAL:

Operating Temperature: 0 to 50°C  
 Relative Humidity: 5 to 85% non-condensing

### MECHANICAL:

Main Connector: Header & Connector with screw connection – 6 pin  
 Stack Connector: PCB edge connector - 7 pin

### ILLUMINATION:

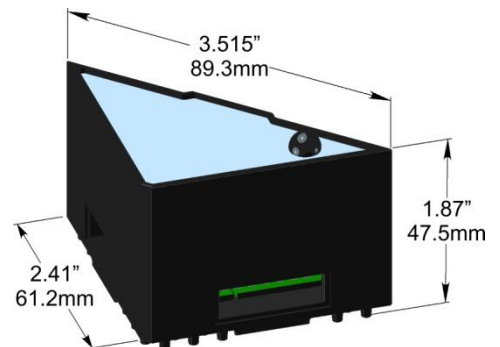
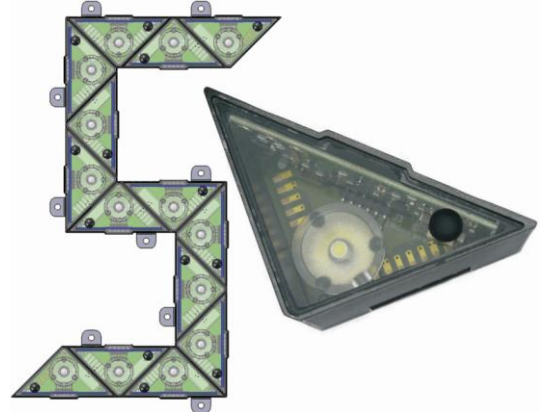
Light Source: LED – available in 4 Colors  
 Quantity HB LED's: 1  
 LED Lense: 25 degree (12.5° half angle)  
 LED Life: up to 50,000 hours\*.  
 \*Contact us for LED life information

### FEATURES:

- User size and shape configurable
- Thermally conductive housing
- Master or Slave configurable
- Up to 50 modules @24VDC can be run from 1 input connector
- Auto burst – overdrives LED for 0.5ms then drops to standard current
- Auto burst disable switch

### PART NUMBER DESIGNATION: TP1-XXX

XXX = Light Color - 470, 530, 630, WHI



Color	Dash #	$\lambda$ Dominant Typical	$\lambda$ Dominant Range	Spectral Half-width $\Delta\lambda_{1/2}$	$\lambda$ Peak Typical	Units	Typical mW per LED
Blue	-470	465	455 - 475	21	453	nm	588
Green	-530	530	525 - 535	39	518	nm	245
Red	-630	625	618 - 630	17	632	nm	280
Pure White	-WHI	Color Temp 5700 - 7000K CRI 70 typ					476

- Other colors available on request

**Spectrum Illumination • 5114 Industrial Park Rd. • Montague, MI 49437**

**Phone 231-894-4590 • Fax 231-894-4582**

**[www.spectrumillumination.com](http://www.spectrumillumination.com)**

Rev. Date: 2009-06-26