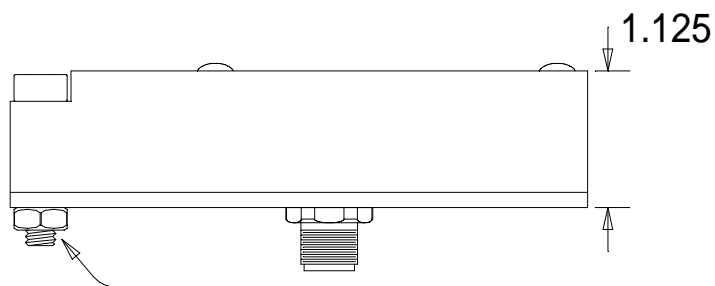
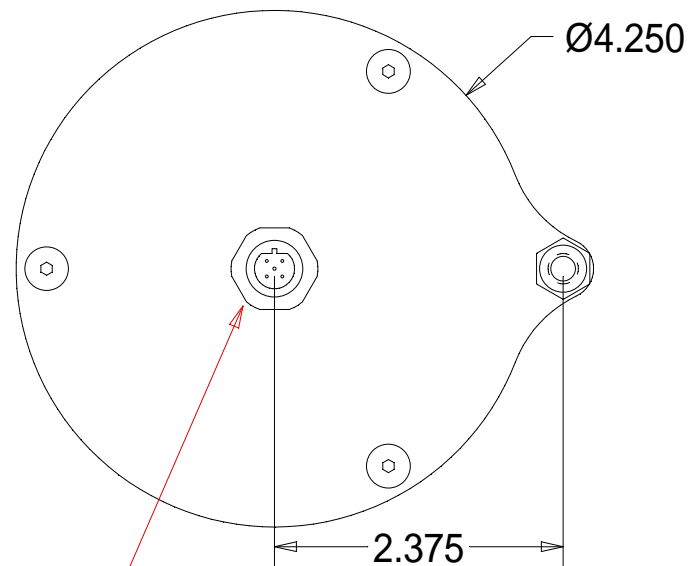
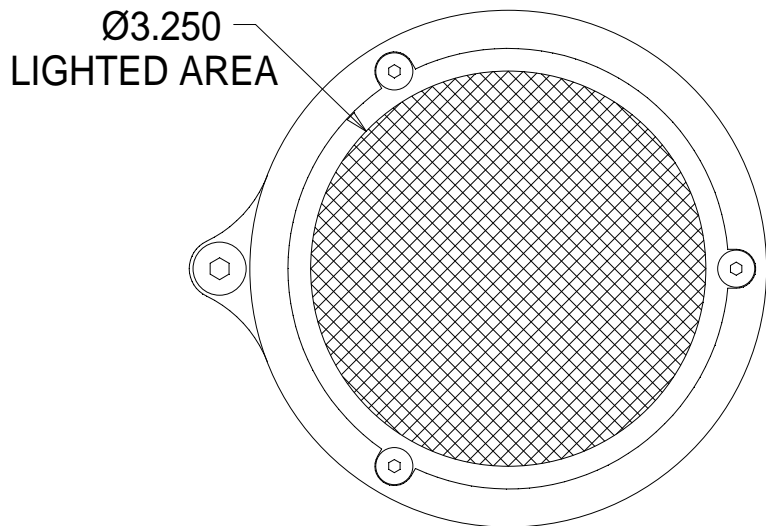


TOP VIEW

BOTTOM VIEW



SIDE VIEW

**5-PIN REVERSE KEYED
EUROFAST CONNECTOR**

**1/4-20 STUD
FOR MOUNTING
NUT INCLUDED**

WARNING!!!

**DO NOT CONNECT LIGHT
TO 24VDC. USE ONLY
SPECTRUM ILLUMINATION
LED DRIVER MODULE (LDM).
FAILURE TO DO SO WILL
RESULT IN PREMATURE
LED BURNOUT AND WILL
VOID THE WARRANTY.**

SP3.25 SPOT MOUNT SPECIFICATIONS